

# GROVE®

## GMK5150XL Product Guide

ASME B30.5 • Imperial 85%



### Features

- 150 t (175 USt) capacity
- 68,7 m (225 ft) seven-section main boom
- 9,6 / 16,2 m (31.5 / 53.1 ft) Swingaway jib
- 1 x 8 m (1 x 26 ft) boom extension
- 1 x 6 m (1 X 20 ft) jib extension
- 20° Tilttable superstructure cab
- EUROMOT 5 / EPA / CARB Tier 4 final
- MAXbase

# GROVE GMK5150XL

**KING OF THE CLASS:** The Grove GMK5150XL all-terrain crane is redefining the five-axle, 175 USt (150 t) class by offering almost 226 ft (69 m) of main boom. The crane's taxi charts are outstanding, ensuring easy roadability and transport savings.

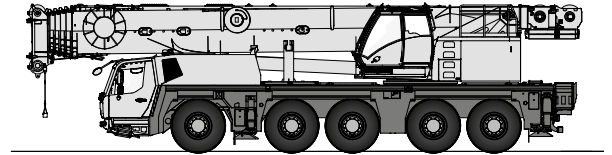
## Features

- > Get impressive strength and reach including 9 USt (8,2 t) lifting capacity with 225 ft (68,7 m) main boom. The boom can be further extended with a 53 ft (16,2 m) swingaway jib and one 26 ft (8 m) boom extension or one 20 ft (6 m) jib insert to a maximum length of 79.4 ft (24,2 m) with up to 40° offset.
- > Counterweight configurations enable setup from 1 USt (1 t) counterweight to taxi configurations of 13 USt - 18 USt (12 t to 16,5 t) per axle. This results in greater roadability and transport savings.
- > The single engine concept on the GMK5150XL with the latest EUROMOT 5/Tier 4 final engine reduces fuel consumption to a minimum. Using the ECO fuel mode, the GMK5150XL is the most fuel efficient crane in its class. Approved for HVO - up to 90 % CO<sub>2</sub> reduction.



## Jobsite benefits

- > The GMK5150XL redefines the 175 USt (150 t) 5-axle class once more. While offering best in class taxi and maxi charts, it also comes with the longest boom of any crane below 242 USt (220 t) capacity.
- > Compact length and width allow access to even narrow jobsites, while optimizing crane set up and lifting position.
- > MAXbase allows the unit to be set up in confined work spaces or roadways and maximize the machines load chart.
- > Four different steering modes allows the operator to easily maneuver the unit into position: highway, crab, all-wheel, and manual modes.
- > Camera technology is available to help the operator see all sides of the unit, hoist drums, rear view, and hook block. 270-degree bird view & boom head option.



## What you need, when you need it.

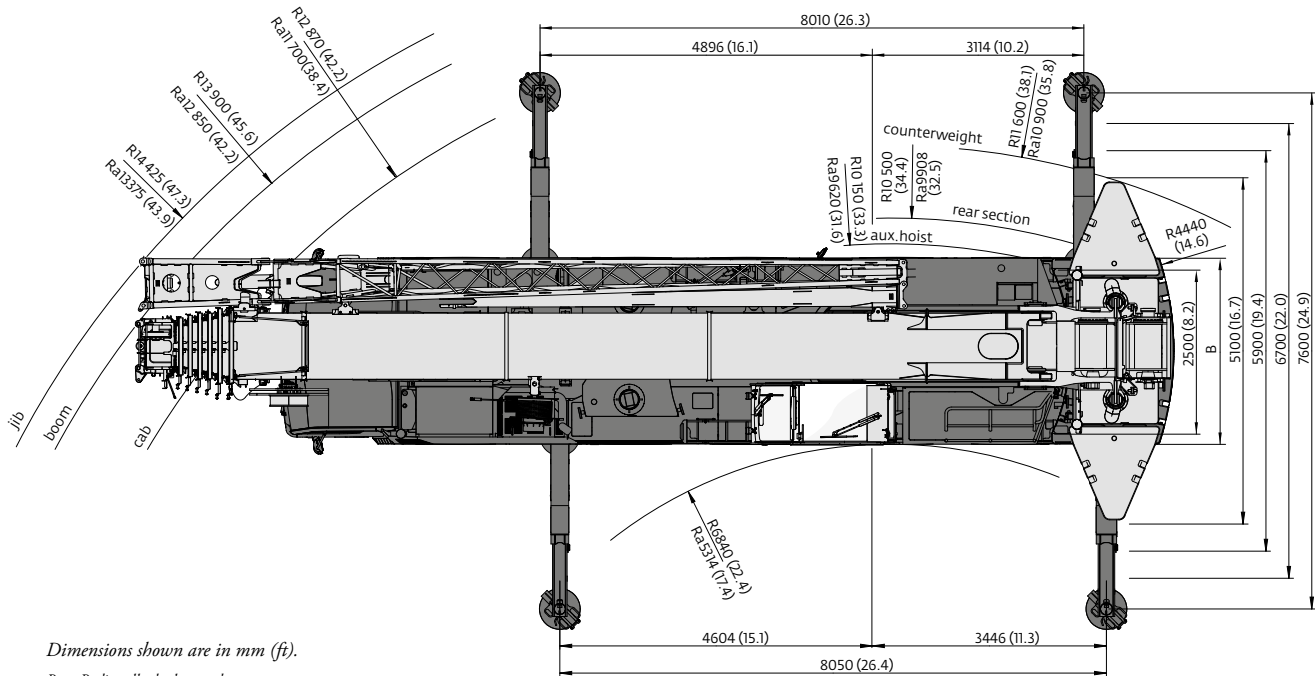
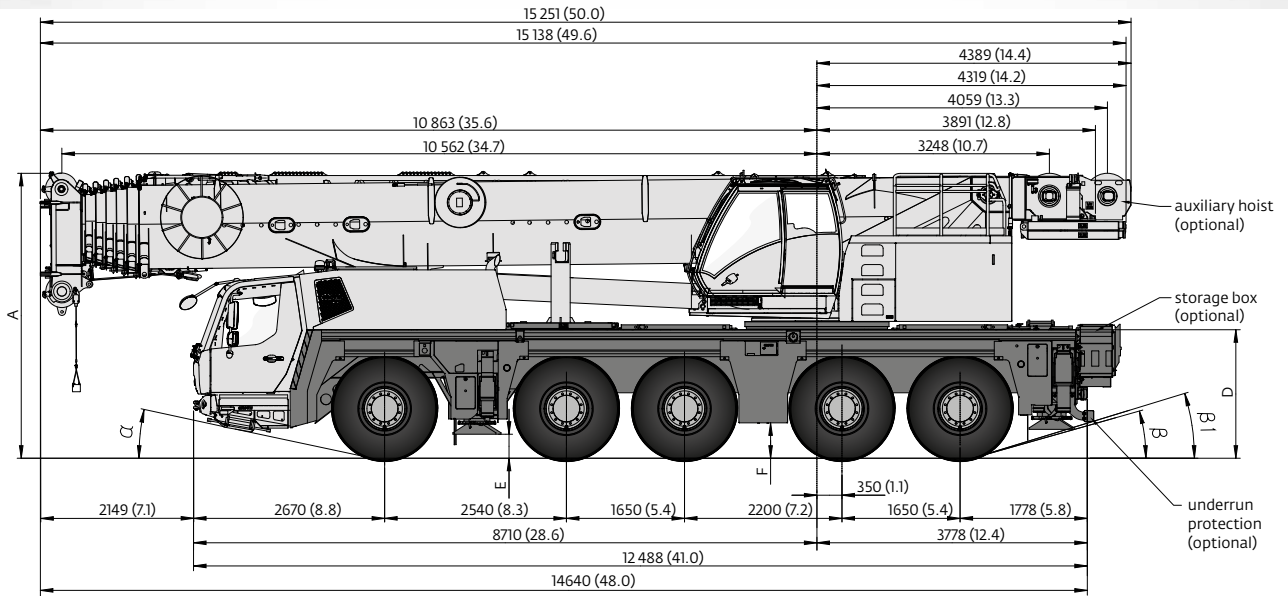
**Get right to work with the right equipment** — Manitowoc Finance gives you access to flexible, affordable financing you can use to seize profitable new opportunities as they arise.

**Feel confident in your investment** — rest easy with the assurance of the world's most advanced crane service and support network.

# Contents

- Dimensions ..... 5
  - Counterweight ..... 6
  - Hose reel ..... 12
  - Jib combinations ..... 13
- Data ..... 14
- Weights ..... 15
- Working Range / Load charts ..... 16
- Specifications ..... 36
- Symbols glossary ..... 37

# Dimensions



Dimensions shown are in mm (ft).

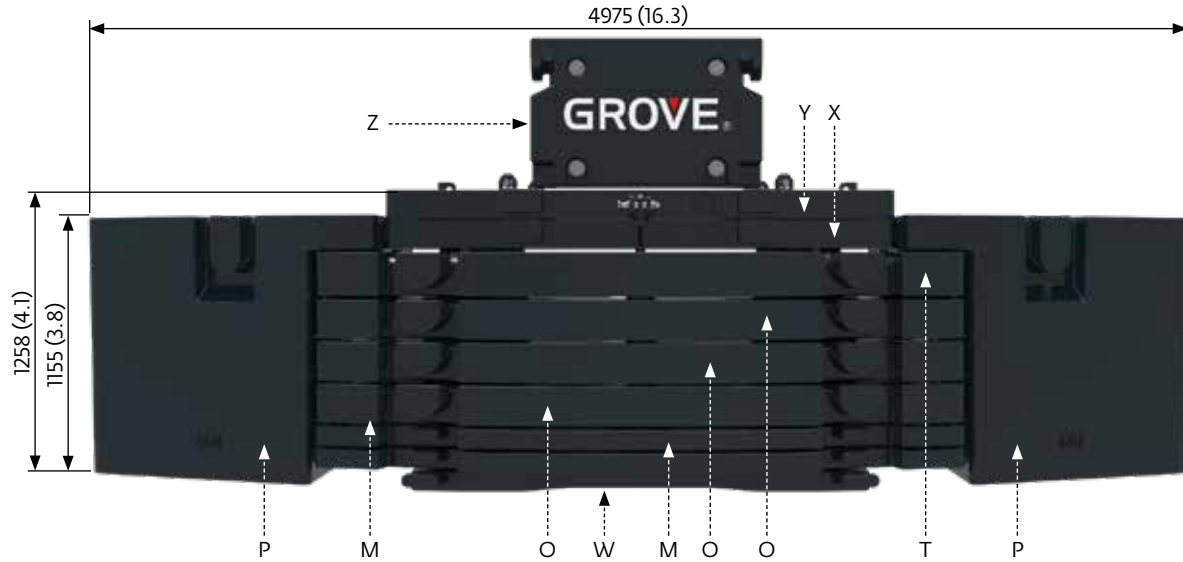
Ra = Radius all wheels steered.

	A	A 105 mm**	B	C	D	E	F	$\alpha$	$\beta$	$\beta_1$
R14,00/R25	3948 (13.0)	3843 (12.6)	2750 (9.0)	2298 (7.5)	1732 (5.7)	272 (0.9)	431 (1.4)	12°	12°	13°
R16,00/R25	3998 (13.1)	3893 (12.8)	2750 (9.0)	2276 (7.5)	1795 (5.9)	335 (1.1)	494 (1.6)	14°	15°	16°
R20,50/R25	3998 (13.1)	3893 (12.8)	2900 (9.5)	2296 (7.5)	1795 (5.9)	335 (1.1)	494 (1.6)	14°	15°	16°

\*\* Lowered

# Dimensions

## Standard Counterweight

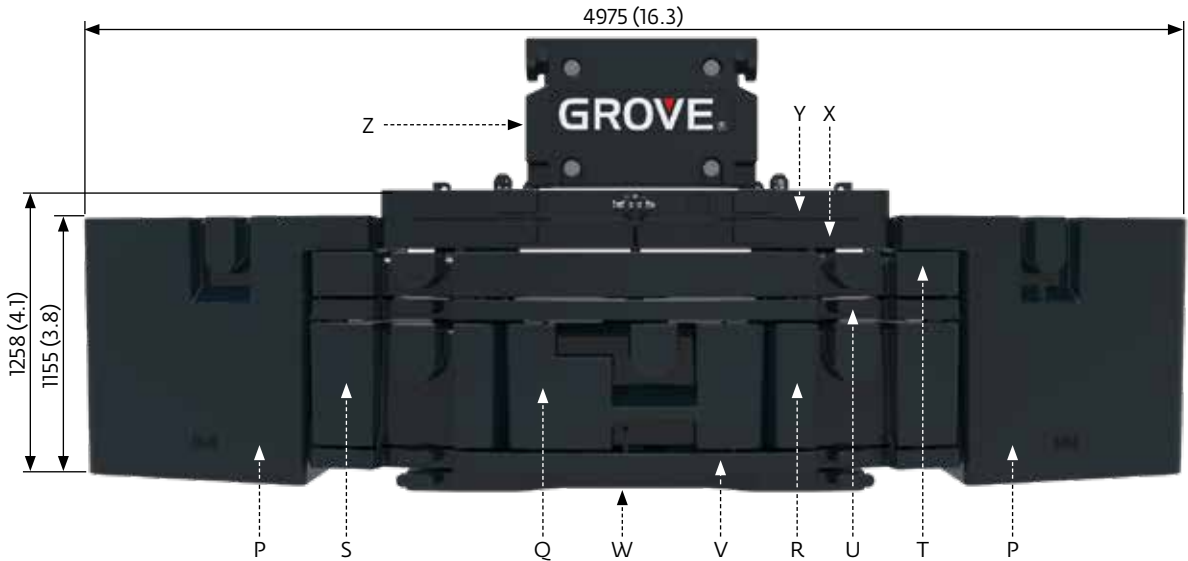


Dimensions shown are in mm (ft).

	Z 1,0 t (1.1 USt)	Y 2,3 t (2.5 USt)	X 2,3 t (2.5 USt)	W 2,3 t (2.5 USt)	M 2,3 t (2.5 USt)	T 4,6 t (5.1 USt)	O 4,6 t (5.1 USt)	P 6,8 t (7.5 USt)
1,0 t (1.1 USt)	x							
3,3 t (3.6 USt)	x	x						
3,3 t (3.6 USt)	x			x				
5,6 t (6.2 USt)	x	x	x					
5,6 t (6.2 USt)	x			x	x			
7,9 t (8.7 USt)	x	x	x	x				
7,9 t (8.7 USt)	x			x	2x			
10,2 t (11.2 USt)	x	x	x	x	x			
10,2 t (11.2 USt)	x			x	x		x	
12,5 t (13.8 USt)	x	x	x	x	2x			
12,5 t (13.8 USt)	x			x	2x		x	
14,8 t (16.3 USt)	x	x	x	x	x		x	
14,8 t (16.3 USt)	x			x	x		2x	
17,1 t (18.8 USt)	x	x	x	x			2x	
17,1 t (18.8 USt)	x			x	2x		2x	
19,4 t (21.4 USt)	x	x	x	x	x		2x	
19,4 t (21.4 USt)	x			x	x		3x	
21,7 t (24.0 USt)	x	x	x	x			3x	
21,7 t (24.0 USt)	x			x	2x		3x	
24,0 t (26.5 USt)	x	x	x	x	x		3x	
24,0 t (26.5 USt)	x			x	x	x	3x	
26,3 t (29.0 USt)	x	x	x	x	2x		3x	
26,3 t (29.0 USt)	x			x	2x	x	3x	
30,9 t (34.1 USt)	x	x	x	x	2x	x	3x	
44,5 t (49.1 USt)	x	x	x	x	2x	x	3x	2x

# Dimensions

## Flexible Split Counterweight

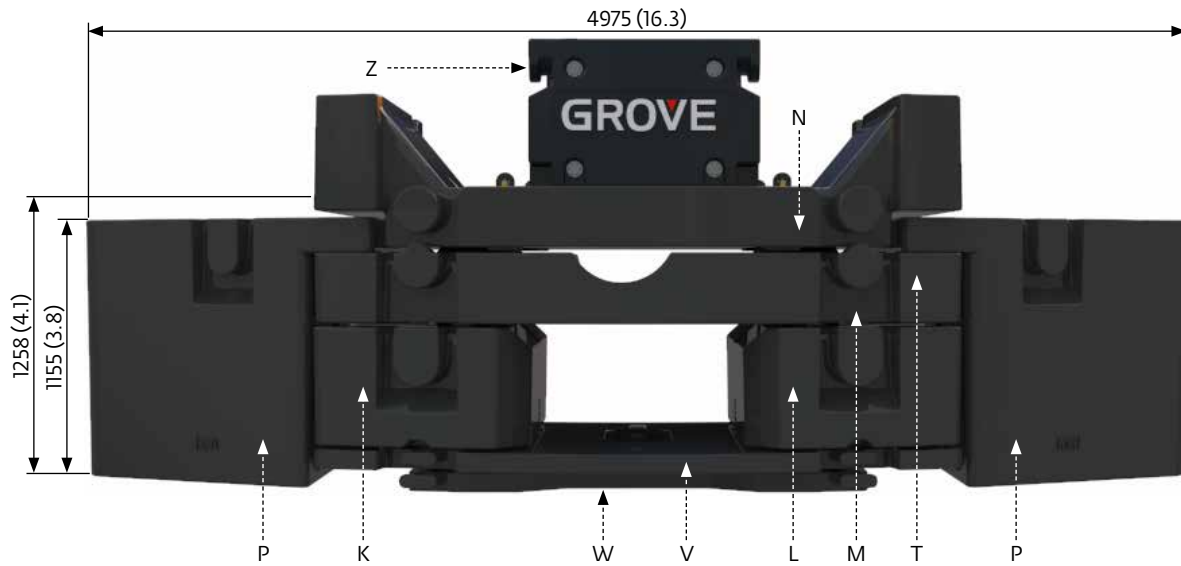


Dimensions shown are in mm (ft).


	Z 1,0 t (1.1 USt)	Y 2,3 t (2.5 USt)	X 2,3 t (2.5 USt)	W 2,3 t (2.5 USt)	V 2,3 t (2.5 USt)	U 2,3 t (2.5 USt)	T 4,6 t (5.1 USt)	S 4,6 t (5.1 USt)	R 4,6 t (5.1 USt)	Q 4,6 t (5.1 USt)	P 6,8 t (7.5 USt)
1,0 t (1.1 USt)	x										
3,3 t (3.6 USt)	x	x									
3,3 t (3.6 USt)	x			x							
5,6 t (6.2 USt)	x	x	x								
5,6 t (6.2 USt)	x			x		x					
7,9 t (8.7 USt)	x	x	x	x							
7,9 t (8.7 USt)	x			x	x	x					
10,2 t (11.2 USt)	x	x	x	x	x						
10,2 t (11.2 USt)	x			x		x	x				
12,5 t (13.8 USt)	x	x	x	x	x	x					
12,5 t (13.8 USt)	x			x	x	x	x				
14,8 t (16.3 USt)	x	x	x	x	x		x				
14,8 t (16.3 USt)	x			x	x			x	x		
17,1 t (18.8 USt)	x	x	x	x	x	x	x				
17,1 t (18.8 USt)	x			x	x	x		x	x		
19,4 t (21.4 USt)	x	x	x	x	x			x	x		
19,4 t (21.4 USt)	x			x	x		x	x	x		
21,7 t (24.0 USt)	x	x	x	x	x	x		x	x		
21,7 t (24.0 USt)	x			x	x	x	x	x	x		
24,0 t (26.5 USt)	x	x	x	x	x		x	x	x		
24,0 t (26.5 USt)	x			x	x		x	x	x	x	
26,3 t (29.0 USt)	x	x	x	x	x	x	x	x	x		
26,3 t (29.0 USt)	x			x	x	x	x	x	x	x	
30,9 t (34.1 USt)	x	x	x	x	x	x	x	x	x	x	
44,5 t (49.1 USt)	x	x	x	x	x	x	x	x	x	x	2x

# Dimensions

## Heavy Roadable Counterweight



Dimensions shown are in mm (ft).

	Z 1,0 t (1.1 USt)	W 2,3 t (2.5 USt)	V 2,3 t (2.5 USt)	K 4,6 t (5.1 USt)	L 4,6 t (5.1 USt)	M 6,9 t (7.6 USt)	N* 9,2 t (10.1 USt)	P 6,8 t (7.5 USt)
1,0 t (1.1 USt)	x							
3,3 t (3.6 USt)	x	x						
5,6 t (6.2 USt)	x	x	x					
10,2 t (11.2 USt)	x	x				x		
10,2 t (11.2 USt)	x						x	
12,5 t (13.8 USt)	x	x	x			x		
12,5 t (13.8 USt)	x	x					x	
14,8 t (16.3 USt)	x	x	x				x	
19,4 t (21.4 USt)	x	x				x	x	
21,7 t (24.0 USt)	x	x	x			x	x	
24,0 t (26.5 USt)	x	x	x	x	x		x	
28,6 t (31.5 USt)	x	x		x	x	x	x	
30,9 t (34.1 USt)	x	x	x	x	x	x	x	
44,5 t (49.1 USt)	x	x	x	x	x	x	x	2x

\* Fixed to superstructure, removable with tools only.



# Dimensions

## Counterweight

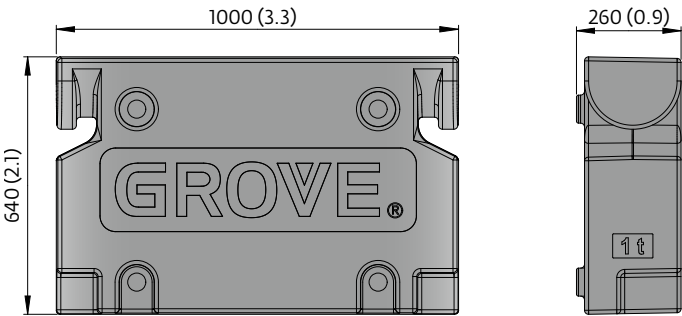


Plate	L x W x H	kg (lb)
Z	1,00 (3.28) x 0,26 (0.85) x 0,64 (2.09)	1000 (2,205)

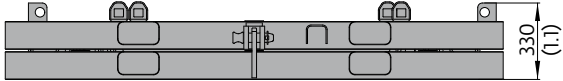
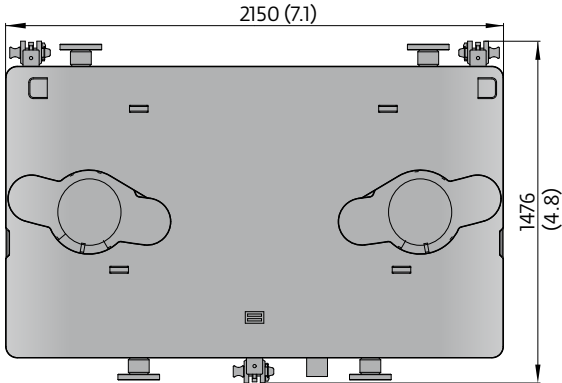


Plate	L x W x H	kg (lb)
Y & X	2,15 (7.05) x 1,48 (4.85) x 0,33 (1.08)	2300 (5,071)

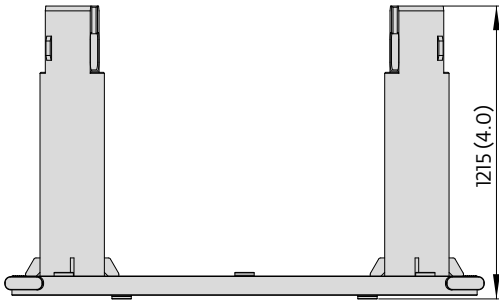
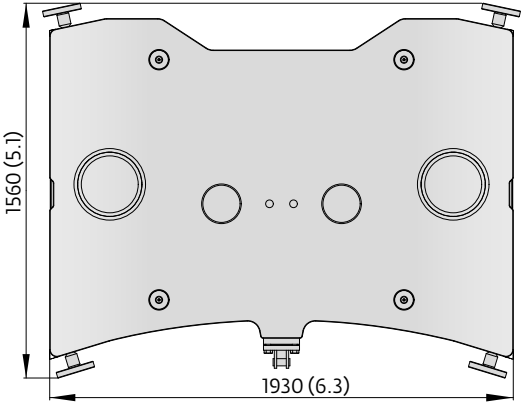


Plate	L x W x H	kg (lb)
W	1,93 (6.33) x 1,56 (5.11) x 1,20 (3.93)	2300 (5,071)

Dimensions shown are in mm (ft).

# Dimensions

## Counterweight

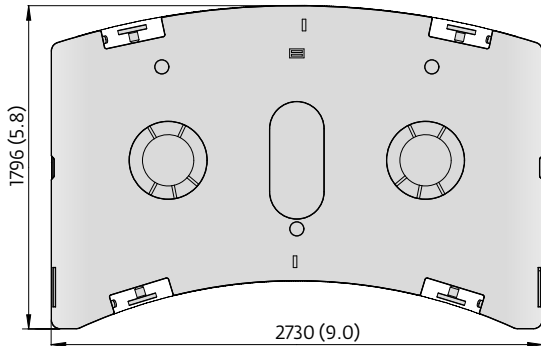


Plate	L x W x H (m)	kg (lb)
V	2,73 x 1,80 x 0,17	2300 (5,071)

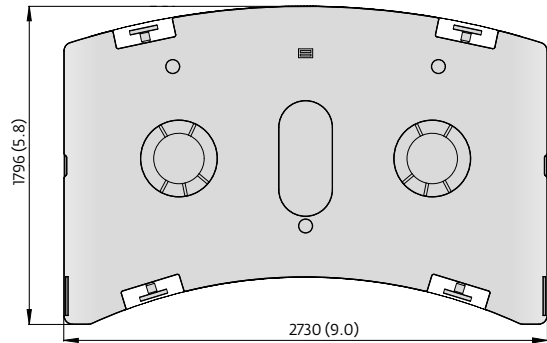


Plate	L x W x H (m)	kg (lb)
U	2,73 x 1,80 x 0,16	2300 (5,071)

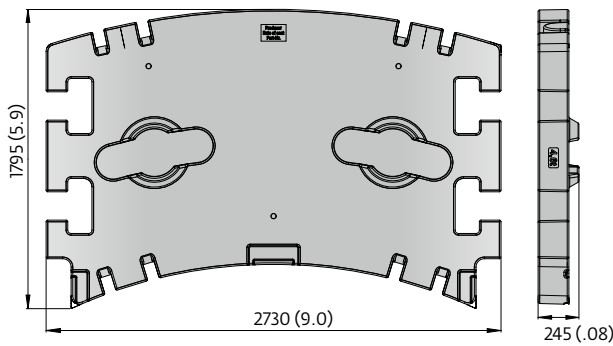


Plate	L x W x H (m)	kg (lb)
T	2,73 x 1,80 x 0,25	2300 (5,071)

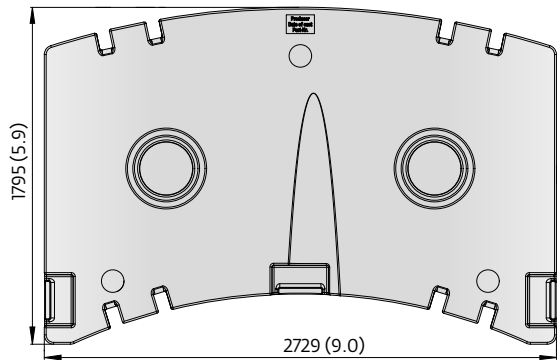
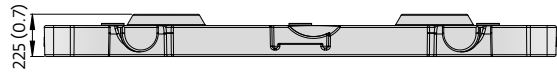


Plate	L x W x H (m)	kg (lb)
O	2,73 x 1,80 x 0,23	2300 (5,071)

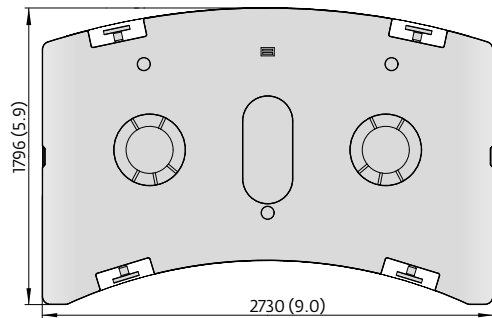


Plate	L x W x H (m)	kg (lb)
M	2,73 x 1,80 x 0,16	2300 (5,071)

# Dimensions

## Counterweight

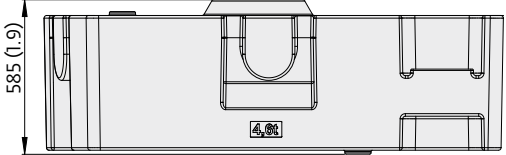
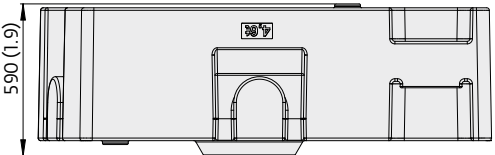
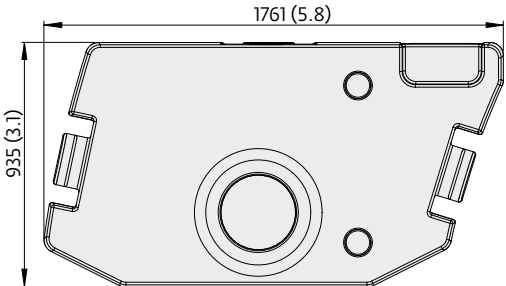
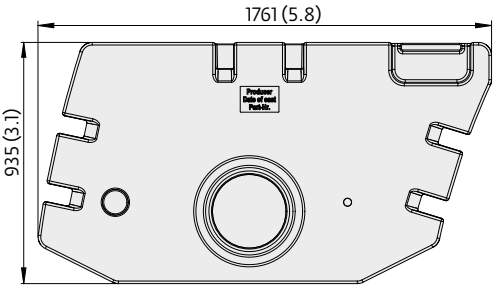


Plate	L x W x H (m)	kg (lb)
S	1,76 x 0,94 x 0,59	4600 (10,141)

Plate	L x W x H (m)	kg (lb)
R	1,76 x 0,93 x 0,59	4600 (10,141)

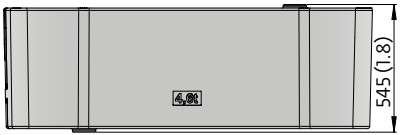
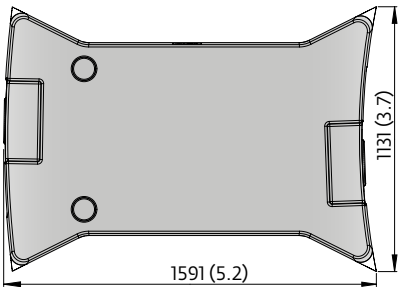


Plate	L x W x H (m)	kg (lb)
Q	1,59 x 1,13 x 0,55	4600 (10,141)

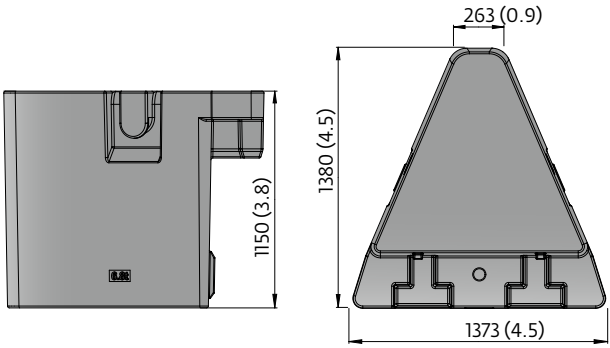
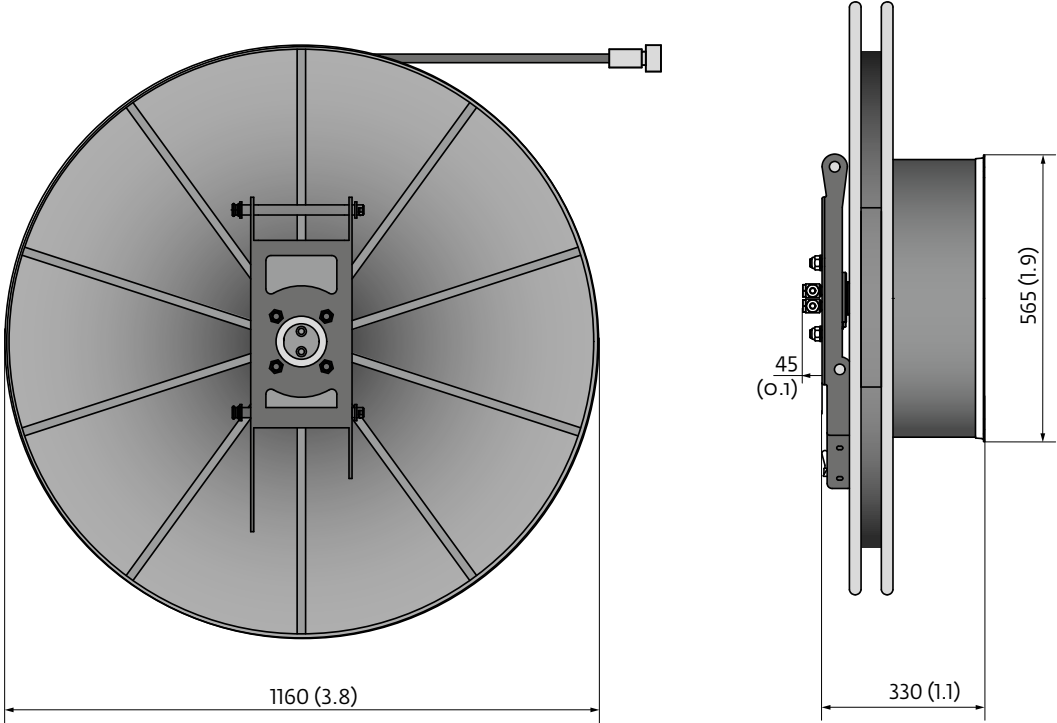


Plate	L x W x H (m)	kg (lb)
P	1,15 x 1,38 x 1,37	4600 (10,141)

# Dimensions

## Hose reel



kg (lb)	185 (408)
---------	-----------

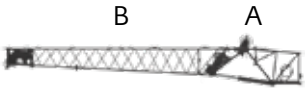
# Dimensions

## Jib combinations

	L x W x H m (ft)	kg (lb)
A	3,4 x 0,8 x 1,3 (11.2 x 2.6 x 4.3)	780 (1,720)
B	7,3 x 0,7 x 0,95 (24.0 x 2.3 x 3.1)	450 (992 lb)
C	6,7 x 0,5 x 0,7 (22.0 x 1.6 x 2.3)	320 (705)
D	6,7 x 0,6 x 0,95 (22.0 x 2.0 x 3.1)	350 (772)
E	8,1 x 0,8 x 1,1 (26.6 x 2.6 x 3.6)	650 (1,433)



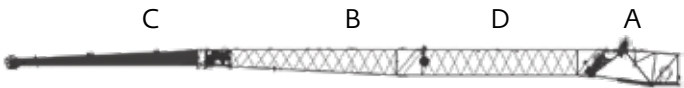
3,3 m (10.8 ft)



9,9 m (31.5 ft)



16,2 m (53.1 ft)



22,2 m (72.8 ft)



11,3 m (37.1 ft)



17,9 m (58.7 ft)



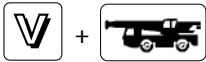
24,2 m (79.4 ft)

# Data

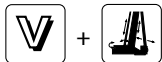


Lifting capacity	Sheaves	Weight	Parts of line	Possible load with crane*
140 t (154 USt)	8	1600 kg (3,520 lb)	2-17**	130 t** (143 USt)
95 t (105 USt)	5	1300 kg (2,860 lb)	2-11	92 t (101 USt)
60 t (66 USt)	3	950 kg (2,090 lb)	2-7	58,5 t (64.5 USt)
60 t (66 USt)	3	700 kg (1,540 lb)	2-7	58,5 t (64.5 USt)
26 t (29 USt)	1	500 kg (1,100 lb)	2-3	25 t (28 USt)
9 t (10 USt)	H/B	300 kg (660 lb)	1	8 t (9 USt)

\*\* Requires special equipment



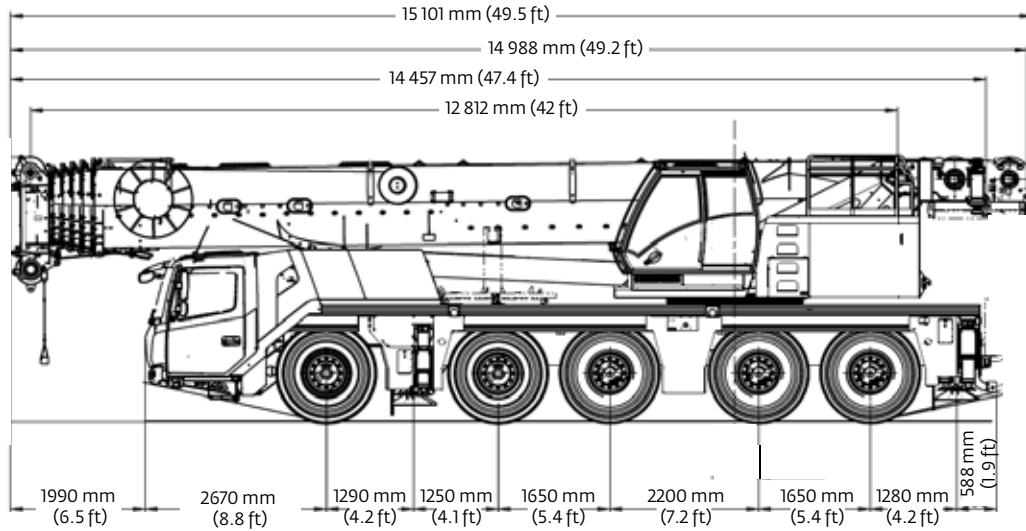
	1	2	3	4	5	6	7	8	9	10	11	12	13	14	15	16	R1	R2
	4.0	4.7	5.8	7.0	8.8	10.5	12.4	15.5	17.4	21.1	25.5	31.1	38.5	46.6	52.8	52.8	4.0	4.8
	1.8	2.2	2.6	3.2	4.0	4.7	5.6	6.8	8.1	9.3	11.8	14.3	17.4	21.1	25.5	30.4	1.8	2.2
	14.00 R25																	



	Infinitely variable	Rope	Max. single line pull
	0 - 120 m/min (0-394 f/min)      Single line	19 mm / 255 m (19 mm / 837 ft)	76,4kN (17,175 lb)
	0 - 120 m/min (0-394 f/min)      Single line	19 mm / 255 m (19 mm / 837 ft)	76,4kN (17,175 lb)
	0 - 1,5 min <sup>-1</sup>		
	-1,5° to + 83°      approx. 48 s		
	13,0 to 68,7 m (42.5 to 225.4 ft)      approx. 480 s		

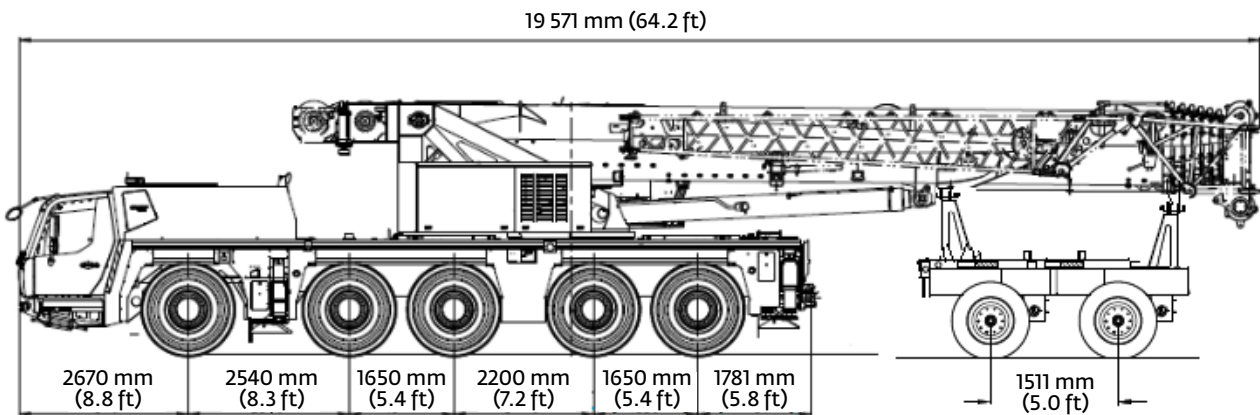
# Weights

## Boom over front



Basic Weights	Axles 1 and 2		Axles 3-5		Total	
GMK5150XL Mercedes-Benz power Tier 4 Final with: 16.00 R25 tires, 10x6x10 drive/steer, Hydraulic luffing swingaway, hose reel, 2 <sup>nd</sup> oil cooler, outrigger pads, auxiliary hoist, driver and tanks filled, 26 t (29 USt) hook block on bumper, 10,100 lb (4,6 t) cwt installed on turntable	23 680 kg	52, 180 lb	34 620 kg	76,290 lb	58 280 kg	128,490 lb

## Trailing Boom



Basic Weights	Axles 1 and 2		Axles 3-5		2 Dolly Axles		Total	
GMK5150XL Mercedes-Benz power Tier 4 Final with: 16.00R25 tires, 10x8x10 drive/steer, 16.2 m (53 ft.) hydraulic luffing swingaway, 2nd oil cooler, outrigger pads, auxiliary hoist, driver and tanks filled, 2 axle boom dolly (2994 kg (6600 lb))	17 700 kg	39,040 lb	22 560 kg	49,740 lb	16 700 kg	36,800 lb	56 960 kg	125,580 lb

# Working range

Main boom

## Working range



13,0 - 68,7 m  
(42.5 ft - 225.4 ft)



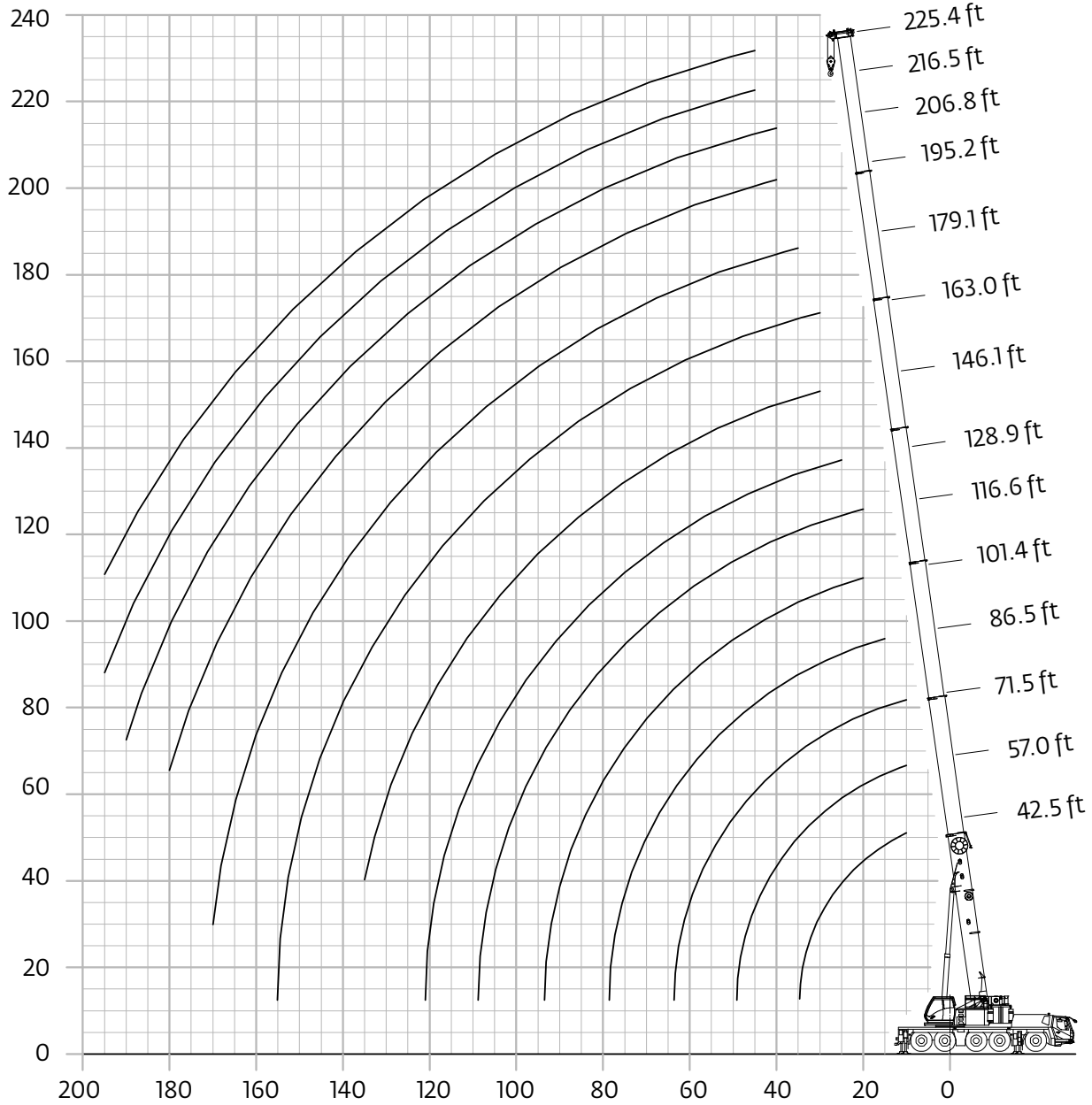
7,6 m  
(25.0 ft)



360°



44,5 t  
(98,100 lb)





# Load charts

## Telescopic boom



13,0 - 68,7 m  
(42.5 ft - 225.4 ft)



7,6 m  
(25.0 ft)



360°



44,5 t  
(98,100 lb)



lb x 1000

ft	42.5	58.1	73.8	89.2	104.7	119.4	133.9	146.0	158.8	170.9	188.0	195.2	206.8	215.9	222.0	225.4
10	236.0	234.0														
15	185.0	183.0	184.0	152.0												
20	150.0	150.0	148.0	143.0	114.0											
25	125.0	126.0	124.0	125.0	110.0	94.0	76.0									
30	102.0	104.0	103.0	102.0	100.0	87.0	75.0	61.0	50.0							
35		87.0	88.0	85.0	87.0	79.0	70.0	58.0	49.0	40.8						
40		75.0	75.0	73.0	74.0	72.0	65.0	55.0	47.0	40.6	26.8	28.8	24.2	21.0		
45		65.0	65.0	65.0	64.0	65.0	60.0	51.0	45.0	39.0	26.8	28.8	24.2	21.0	18.8	18.0
50		29.2	57.0	57.0	56.0	57.0	55.0	47.0	41.6	36.8	26.2	28.8	24.2	21.0	18.8	18.0
55			51.0	52.0	50.0	51.0	51.0	43.0	38.6	34.4	25.0	28.4	24.2	21.0	18.8	18.0
60			47.0	47.0	46.0	45.0	46.0	39.8	35.6	32.2	23.8	27.2	24.2	21.0	18.8	17.8
65			15.2	42.2	41.8	40.8	41.4	36.6	33.2	30.0	22.6	26.0	24.0	21.0	18.8	17.8
70				38.2	38.2	37.2	37.4	34.0	31.2	28.0	21.4	24.4	23.2	21.0	18.8	17.8
75				34.0	35.6	34.6	33.6	31.6	29.2	26.4	20.0	23.0	22.0	20.6	18.8	17.8
80				19.0	32.4	31.4	30.0	29.0	27.4	24.8	18.6	21.6	20.8	19.8	17.8	17.4
85					29.4	28.4	27.0	26.0	25.6	23.4	17.2	20.4	19.4	18.6	16.6	16.6
90					26.6	25.6	24.8	23.2	23.0	22.0	16.0	19.2	18.2	17.4	15.8	15.8
95					19.8	23.2	23.6	20.8	20.6	20.8	15.2	18.0	17.2	16.6	14.8	15.0
100						21.2	22.4	18.6	18.6	18.6	14.2	16.8	16.4	15.6	14.0	14.2
105						19.2	20.4	16.8	16.6	16.8	13.4	16.0	15.4	14.8	13.2	13.4
110						13.2	18.8	15.0	14.8	15.0	12.6	15.0	14.6	14.2	12.6	12.8
115							17.2	13.6	13.4	13.4	12.0	14.4	13.8	13.4	12.0	12.2
120							15.8	12.2	12.0	12.4	11.2	13.4	13.2	12.8	11.4	11.6
125							9.6	10.8	10.6	11.8	10.6	12.0	12.6	12.2	10.8	11.0
130								9.6	9.4	11.2	10.0	11.2	11.6	11.6	10.2	10.4
135								8.6	8.4	10.6	9.4	10.6	10.4	10.8	9.8	9.8
140									7.4	10.2	8.8	10.2	9.4	9.8	9.2	9.4
145									6.4	9.6	8.4	9.4	8.6	8.8	8.8	8.6
150										9.2	8.0	8.6	7.6	8.0	8.0	7.8
155										8.6	7.6	7.8	6.8	7.2	7.2	7.0
160											7.0	7.0	6.2	6.4	6.4	6.2
165											6.8	6.2	5.4	5.8	5.6	5.4
170											6.4	5.6	4.8	5.2	5.0	4.8
175											6.0	5.0	4.2	4.4	4.4	4.2
180												4.4	3.6	4.0	3.8	3.6
185													3.0	3.4	3.2	3.0
190													2.6	2.8	2.8	2.6
195														2.4	2.2	2.0
200														2.0	1.8	

\* Telescopic boom lengths varies in range depending on section pinning arrangement.

# Load charts

## Telescopic boom



13,0 - 68,7 m  
(42.5 ft - 225.4 ft)



7,6 m  
(25.0 ft)



360°



30,9 t  
(68,100 lb)



lb x 1000

ft	42.5	58.1	73.8	89.2	104.7	119.4	133.9	146.0	158.8	170.9	183.3	195.2	206.8	215.9	222.0	225.4
10	234.0	232.0														
15	182.0	182.0	181.0	152.0												
20	147.0	148.0	146.0	143.0	114.0											
25	116.0	118.0	117.0	116.0	110.0	94.0	76.0									
30	93.0	95.0	96.0	93.0	91.0	87.0	75.0	61.0	50.0							
35		80.0	80.0	80.0	74.0	73.0	70.0	58.0	49.0	40.8	34.2					
40		68.0	68.0	69.0	66.0	62.0	61.0	55.0	47.0	40.6	34.2	28.8	24.2	21.0		
45		55.0	57.0	59.0	56.0	56.0	53.0	50.0	45.0	39.0	34.0	28.8	24.2	21.0	18.8	18.0
50		29.1	47.0	50.0	52.0	49.0	46.0	43.4	41.6	36.8	32.8	28.8	24.2	21.0	18.8	18.0
55			39.8	42.2	45.0	42.8	40.0	37.8	36.8	34.4	31.4	28.4	24.2	21.0	18.8	18.0
60			34.0	36.4	38.6	37.6	35.2	33.2	32.2	31.6	29.6	27.2	24.2	21.0	18.8	17.8
65			26.8	31.6	33.8	32.8	32.0	29.2	28.4	27.8	27.6	26.0	24.0	21.0	18.8	17.8
70				27.6	29.8	28.8	30.2	25.8	25.0	24.6	24.8	24.4	23.2	21.0	18.8	17.8
75				24.2	26.4	25.4	26.8	22.8	22.2	22.0	23.4	22.2	22.0	20.6	18.8	17.8
80				18.8	23.4	22.4	23.8	20.2	19.8	20.6	22.0	20.2	20.2	19.8	17.8	17.4
85					21.0	20.0	21.2	18.6	17.4	19.0	20.4	19.0	18.2	18.4	16.6	16.6
90					18.8	17.8	19.0	17.4	15.6	17.8	18.6	17.6	16.4	16.6	15.8	15.8
95					14.0	15.8	17.0	16.4	14.6	16.6	16.8	16.0	14.8	15.0	14.8	14.4
100						14.0	15.4	15.4	13.8	15.6	15.0	14.6	13.4	13.6	13.2	13.0
105							12.6	13.8	14.6	12.8	14.6	13.6	13.0	12.0	12.2	11.6
110								8.4	12.4	13.8	12.2	13.2	12.6	11.6	10.8	10.4
115									11.2	12.4	11.4	12.0	11.2	10.4	9.4	9.4
120									10.0	11.2	10.8	10.8	10.2	9.2	8.4	8.4
125									6.4	10.2	10.2	9.8	9.0	8.2	7.2	7.4
130										9.2	9.6	8.8	8.0	7.2	6.4	6.4
135										8.4	8.6	7.8	7.2	6.2	5.4	5.4
140											7.8	7.0	6.4	5.4	4.6	4.6
145												7.2	6.2	5.6	4.8	3.8
150													6.4	5.6	5.0	3.2
155														4.2	3.4	2.6
160															3.4	2.0
165																
170																

\* Telescopic boom lengths varies in range depending on section pinning arrangement.

# Load charts

## Telescopic boom



13,0 - 68,7 m  
(42.5 ft - 225.4 ft)



7,6 m  
(25.0 ft)



360°



28,6 t  
(63,000 lb)



lb x 1000

ft	42.5	58.1	73.8	89.2	104.7	119.4	133.9	146.0	158.8	170.9	183.3	188.0	195.2	206.8	215.9	222.0	225.4
10	232.0	224.0															
15	182.0	182.0	181.0	152.0													
20	146.0	147.0	145.0	143.0	114.0												
25	114.0	116.0	116.0	114.0	110.0	94.0	76.0										
30	92.0	94.0	94.0	92.0	87.0	85.0	75.0	61.0	50.0								
35		78.0	79.0	78.0	74.0	70.0	69.0	58.0	49.0	40.8	34.2						
40		64.0	67.0	66.0	63.0	62.0	58.0	55.0	47.0	40.6	34.2	26.8	28.8	24.2	21.0		
45		52.0	56.0	56.0	56.0	53.0	50.0	48.0	45.0	39.0	34.0	26.8	28.8	24.2	21.0	18.8	18.0
50		29.2	47.0	47.0	49.0	46.0	43.2	41.0	39.8	36.8	32.8	26.2	28.8	24.2	21.0	18.8	18.0
55			39.6	42.4	42.2	40.6	37.6	35.6	34.6	33.8	31.4	25.0	28.4	24.2	21.0	18.8	18.0
60			34.0	36.6	36.6	35.4	33.0	31.2	30.2	29.6	29.6	23.8	27.2	24.2	21.0	18.8	17.8
65			24.8	32.0	31.8	30.8	29.2	27.4	26.4	26.0	26.4	22.6	26.0	24.0	21.0	18.8	17.8
70				28.2	28.0	27.0	25.6	24.0	23.4	23.6	24.8	21.4	23.2	23.2	21.0	18.8	17.8
75				24.8	24.6	23.6	22.2	21.8	20.6	22.0	23.4	20.0	21.6	21.0	20.6	18.8	17.8
80				22.2	21.8	21.0	20.6	20.2	18.2	20.6	21.0	18.6	20.2	18.8	19.0	17.8	17.4
85					19.4	18.4	19.4	18.6	16.4	19.0	19.0	17.2	18.2	16.8	17.0	16.6	16.4
90					17.4	16.4	18.2	17.4	15.6	17.8	17.2	16.0	16.4	15.2	15.2	15.0	14.6
95					12.8	15.2	17.0	16.4	14.6	16.6	15.8	15.2	14.8	13.6	13.8	13.4	13.2
100						14.4	16.0	15.4	13.8	15.0	15.0	14.2	13.4	12.2	12.4	12.2	11.8
105						13.6	14.4	14.0	12.8	13.6	13.8	13.2	12.0	10.8	11.0	10.8	10.6
110						13.0	13.2	12.6	12.2	12.2	12.4	11.8	11.2	9.6	10.0	9.8	9.4
115						10.0	11.8	11.4	11.4	11.0	11.2	10.6	10.4	8.4	8.8	8.6	8.4
120							10.8	10.2	10.6	9.8	10.0	9.4	9.2	7.4	7.6	7.6	7.4
125							9.8	9.2	9.6	8.8	9.0	8.4	8.2	6.4	6.6	6.6	6.4
130							7.6	8.4	8.6	7.8	8.2	7.6	7.4	5.4	5.8	5.6	5.4
135								7.6	7.8	7.0	7.2	6.6	6.4	4.6	5.0	4.8	4.6
140								6.8	7.0	6.2	6.4	5.8	5.6	3.8	4.2	4.0	3.8
145									6.2	5.4	5.8	5.2	5.0	3.0	3.4	3.4	3.0
150									5.6	4.8	5.0	4.4	4.2	2.4	2.8	2.6	2.4
155									2.8	4.2	4.4	3.8	3.6	1.8	2.0	2.0	1.8
160											3.8	3.2	3.0				
165											3.4	2.8	2.6				
170											2.2	2.2	2.0				
175												1.8					

\* Telescopic boom lengths varies in range depending on section pinning arrangement.

# Load charts

## Telescopic boom



13,0 - 68,7 m  
(42.5 ft - 225.4 ft)



7,6 m  
(25.0 ft)



360°



26,3 t  
(57,900 lb)



lb x 1000

ft	42.5	58.1	73.8	89.2	104.7	119.4	133.9	146.0	158.8	170.9	183.3	188.0	195.2	206.8	215.9	222.0	225.4
10	232.0	230.0															
15	182.0	181.0	180.0	152.0													
20	144.0	145.0	143.0	143.0	114.0												
25	112.0	114.0	115.0	111.0	107.0	94.0	76.0										
30	90.0	92.0	93.0	90.0	83.0	82.0	75.0	61.0	50.0								
35		77.0	77.0	76.0	72.0	68.0	66.0	58.0	49.0	40.8	34.2						
40		61.0	64.0	63.0	61.0	60.0	56.0	53.0	47.0	40.6	34.2	26.8	28.8	24.2	21.0		
45		49.0	53.0	53.0	54.0	51.0	48.0	45.0	43.6	39.0	34.0	26.8	28.8	24.2	21.0	18.8	18.0
50		29.2	44.0	47.0	47.0	44.0	40.8	38.6	37.4	36.6	32.8	26.2	28.8	24.2	21.0	18.8	18.0
55			37.2	40.0	39.8	38.4	36.0	33.4	32.4	31.6	31.4	25.0	28.4	24.2	21.0	18.8	18.0
60			33.8	34.6	34.4	33.4	34.0	29.0	28.2	27.6	28.4	23.8	27.2	24.2	21.0	18.8	17.8
65			23.0	30.2	30.0	29.0	30.4	25.4	24.6	25.4	26.4	22.6	24.6	24.0	21.0	18.8	17.8
70				26.4	26.2	25.2	26.6	23.4	21.6	23.6	24.4	21.4	23.0	22.0	21.0	18.8	17.8
75				23.2	23.0	22.0	23.4	21.8	19.0	22.0	21.8	20.0	20.8	19.6	19.6	18.8	17.8
80				21.1	20.4	19.4	20.8	20.2	17.4	20.6	19.6	18.6	18.8	17.4	17.6	17.2	16.8
85					18.0	17.0	18.4	18.6	16.4	19.0	17.6	17.2	16.8	15.6	15.6	15.4	15.0
90					16.0	15.0	16.4	17.4	15.6	17.4	16.6	16.0	15.0	13.8	14.0	13.8	13.4
95					11.6	13.4	14.6	16.0	14.6	15.4	15.8	15.0	13.6	12.4	12.6	12.2	12.0
100						12.6	13.8	14.4	13.8	13.8	14.2	13.6	12.8	11.0	11.2	11.0	10.6
105						12.0	13.2	12.8	12.8	12.4	12.6	12.0	11.8	9.8	10.0	9.8	9.4
110						8.4	12.6	11.6	12.0	11.2	11.4	10.8	10.6	8.6	8.8	8.6	8.4
115							11.4	10.4	10.8	10.0	10.2	9.6	9.4	7.4	7.8	7.6	7.4
120							10.4	9.4	9.6	8.8	9.2	8.6	8.4	6.4	6.8	6.6	6.4
125							8.8	8.4	8.6	7.8	8.2	7.6	7.4	5.4	5.8	5.6	5.4
130							7.6	7.4	7.8	7.0	7.2	6.6	6.4	4.6	4.8	4.8	4.6
135								6.6	7.0	6.2	6.4	5.8	5.6	3.8	4.0	4.0	3.8
140								6.0	6.2	5.4	5.6	5.0	4.8	3.0	3.4	3.2	3.0
145									5.6	4.8	5.0	4.4	4.2	2.2	2.6	2.6	2.4
150									4.8	4.0	4.4	3.8	3.6		2.0	1.8	
155									2.8	3.4	3.8	3.2	3.0				
160											3.2	2.6	2.4				
165											2.6	2.0	1.8				
170											2.2						

\* Telescopic boom lengths varies in range depending on section pinning arrangement.

# Load charts

## Telescopic boom



13,0 - 68,7 m  
(42.5 ft - 225.4 ft)



7,6 m  
(25.0 ft)



360°



24,0 t  
(52,900 lb)



lb x 1000

ft	42.5	58.1	73.8	89.2	104.7	119.4	133.9	146.0	158.8	170.9	183.3	188.0	195.2	206.8	215.9	222.0	225.4
10	232.0	230.0															
15	181.0	181.0	180.0	152.0													
20	141.0	142.0	142.0	141.0	114.0												
25	110.0	112.0	113.0	106.0	101.0	94.0	76.0										
30	89.0	91.0	91.0	87.0	83.0	78.0	75.0	61.0	50.0								
35		72.0	74.0	72.0	68.0	67.0	63.0	58.0	49.0	40.8	34.2						
40		58.0	61.0	60.0	60.0	57.0	53.0	50.0	47.0	40.6	34.2	26.8	28.8	24.2	21.0		
45		49.0	50.0	51.0	51.0	48.0	45.0	42.2	40.8	39.0	34.0	26.8	28.8	24.2	21.0	18.8	18.0
50		29.2	41.2	44.0	44.0	41.4	38.6	36.0	34.8	34.0	32.8	26.2	28.8	24.2	21.0	18.8	18.0
55			36.8	37.6	37.4	36.0	36.0	31.2	30.0	29.4	30.2	25.0	28.4	24.2	21.0	18.8	18.0
60			31.6	32.4	32.2	31.2	32.2	27.0	26.0	27.2	28.4	23.8	26.0	24.2	21.0	18.8	17.8
65			21.0	28.2	28.0	27.0	28.4	25.0	22.8	25.4	25.4	22.6	24.4	22.8	21.0	18.8	17.8
70				24.6	24.4	23.4	24.8	23.4	20.0	23.6	22.6	21.4	21.6	20.2	20.4	18.8	17.8
75				21.6	21.4	20.4	21.8	21.8	18.6	22.0	20.6	20.0	19.2	18.0	18.0	17.8	17.4
80				19.6	18.8	18.4	19.2	20.2	17.4	19.8	18.8	18.6	17.2	16.0	16.0	15.8	15.4
85					16.6	17.0	17.0	18.4	16.4	18.0	17.6	16.8	15.6	14.2	14.2	14.0	13.6
90					14.6	16.2	15.2	16.4	15.6	16.0	16.2	15.2	14.6	12.6	12.6	12.4	12.2
95					10.2	15.2	14.6	14.6	14.6	14.2	14.4	13.8	13.4	11.0	11.2	11.0	10.8
100						13.8	13.8	13.2	13.4	12.6	13.0	12.2	12.0	9.8	10.0	9.8	9.4
105						12.4	12.8	11.8	12.0	11.2	11.6	10.8	10.8	8.6	8.8	8.6	8.4
110						11.2	11.4	10.4	10.8	10.0	10.2	9.6	9.4	7.6	7.8	7.6	7.4
115						10.0	10.4	9.4	9.8	8.8	9.2	8.6	8.4	6.4	6.8	6.6	6.4
120							9.4	8.4	8.6	7.8	8.2	7.6	7.4	5.4	5.8	5.6	5.4
125							6.2	7.4	7.8	7.0	7.2	6.6	6.4	4.4	4.8	4.8	4.6
130								6.6	6.8	6.0	6.4	5.8	5.6	3.6	4.0	3.8	3.6
135								5.8	6.0	5.2	5.6	5.0	4.8	2.8	3.2	3.0	2.8
140								5.2	5.4	4.6	4.8	4.2	4.0	2.2	2.4	2.4	2.2
145									4.8	3.8	4.2	3.6	3.4		1.8		
150									4.0	3.2	3.6	3.0	2.8				
155									2.8	2.8	3.0	2.4	2.2				
160											2.4	1.8					
165											2.0						

\* Telescopic boom lengths varies in range depending on section pinning arrangement.

# Load charts

## Telescopic boom



13,0 - 68,7 m  
(42.5 ft - 225.4 ft)



7,6 m  
(25.0 ft)



360°



21,7 t  
(47,800 lb)



lb x 1000

ft	42.5	58.1	73.8	89.2	104.7	119.4	133.9	146.0	158.8	170.9	183.3	188.0	195.2	206.8	215.9	222.0	225.4
10	232.0	230.0	151.0														
15	181.0	180.0	179.0	152.0													
20	139.0	140.0	140.0	137.0	114.0												
25	108.0	110.0	111.0	105.0	97.0	94.0	76.0										
30	86.0	89.0	87.0	85.0	79.0	76.0	73.0	61.0	50.0								
35	57.0	70.0	72.0	69.0	67.0	64.0	60.0	56.0	49.0	40.8	34.2						
40		55.0	57.0	57.0	57.0	54.0	50.0	47.0	45.0	40.6	34.2	26.8	28.8	24.2	21.0		
45		46.0	47.0	50.0	48.0	45.0	42.0	39.6	38.2	37.2	34.0	26.8	28.8	24.2	21.0	18.8	18.0
50		29.2	40.0	41.6	41.4	38.8	38.6	33.6	32.6	31.8	31.6	26.2	28.8	24.2	21.0	18.8	18.0
55			34.4	35.2	35.2	33.6	34.2	29.0	28.0	29.4	30.2	25.0	27.4	24.2	21.0	18.8	18.0
60			29.4	30.2	30.2	29.0	30.0	27.0	24.2	27.2	26.8	23.8	25.6	24.0	21.0	18.8	17.8
65				26.2	26.0	25.0	26.4	25.0	21.6	25.4	23.8	22.6	22.6	21.2	21.0	18.8	17.8
70				22.8	22.6	21.6	23.2	23.4	20.0	22.8	21.6	21.4	20.0	18.6	18.8	18.4	17.8
75				20.0	19.8	19.8	21.8	21.6	18.6	20.4	20.0	19.4	17.8	16.4	16.6	16.2	16.0
80				18.0	17.4	18.4	19.6	19.2	17.4	18.4	18.2	17.4	16.6	14.6	14.6	14.4	14.0
85					15.2	17.0	17.4	17.0	16.4	16.6	16.4	15.6	15.2	12.8	13.0	12.6	12.4
90					13.4	15.8	15.6	15.0	15.4	14.6	14.8	14.0	13.6	11.2	11.4	11.2	10.8
95					9.0	14.0	14.0	13.4	13.8	13.0	13.2	12.6	12.2	9.8	10.0	9.8	9.6
100						12.6	12.4	12.0	12.4	11.4	11.8	11.2	11.0	8.6	8.8	8.6	8.4
105						11.2	11.0	10.6	11.0	10.2	10.4	9.8	9.6	7.6	7.8	7.6	7.2
110						10.0	10.2	9.4	9.8	9.0	9.2	8.6	8.4	6.4	6.8	6.6	6.2
115						9.0	9.4	8.4	8.8	7.8	8.2	7.6	7.4	5.4	5.8	5.6	5.4
120							8.4	7.4	7.8	7.0	7.2	6.6	6.4	4.4	4.8	4.6	4.4
125							6.2	6.4	6.8	6.0	6.2	5.6	5.4	3.6	3.8	3.8	3.6
130								5.6	6.0	5.2	5.4	4.8	4.6	2.8	3.0	3.0	2.8
135								5.0	5.2	4.4	4.8	4.0	3.8	2.0	2.4	2.2	2.0
140								4.2	4.6	3.8	4.0	3.4	3.2				
145									4.0	3.2	3.4	2.8	2.6				
150									3.4	2.6	2.8	2.2	2.0				
155									2.8	2.0	2.2						
160											1.8						

\* Telescopic boom lengths varies in range depending on section pinning arrangement.

# Load charts

## Telescopic boom



13,0 - 68,7 m  
(42.5 ft - 225.4 ft)



7,6 m  
(25.0 ft)



360°



19,4 t  
(42,700 lb)



lb x 1000

ft	42.5	58.1	73.8	89.2	104.7	119.4	133.9	146.0	158.8	170.9	183.3	188.0	195.2	206.8	215.9	222.0	225.4
10	232.0	230.0															
15	181.0	180.0	179.0	152.0													
20	139.0	139.0	140.0	137.0	114.0	89.0											
25	108.0	110.0	111.0	105.0	97.0	94.0	76.0										
30	86.0	89.0	87.0	85.0	79.0	76.0	73.0	61.0	50.0								
35		70.0	72.0	69.0	67.0	64.0	60.0	56.0	49.0	40.8	34.2						
40		55.0	57.0	57.0	57.0	54.0	50.0	47.0	45.0	40.6	34.2	26.8	28.8	24.2	21.0		
45		46.0	47.0	50.0	48.0	45.0	42.0	39.6	38.2	37.2	34.0	26.8	28.8	24.2	21.0	18.8	18.0
50		29.2	40.0	41.6	41.4	38.8	38.6	33.6	32.6	31.8	31.6	26.2	28.8	24.2	21.0	18.8	18.0
55			34.4	35.2	35.2	33.6	34.2	29.0	28.0	29.4	30.2	25.0	27.4	24.2	21.0	18.8	18.0
60			29.4	30.2	30.2	29.0	30.0	27.0	24.2	27.2	26.8	23.8	23.8	24.0	21.0	18.8	17.8
65			19.6	26.2	26.0	25.0	26.4	25.0	21.6	25.4	23.6	22.6	20.8	21.2	21.0	18.8	17.8
70				22.8	22.6	21.6	23.0	23.4	20.0	22.8	21.0	21.4	20.0	18.6	18.8	18.4	17.8
75				20.0	19.8	18.8	20.2	21.6	18.6	20.4	18.6	19.4	17.8	16.4	16.6	16.2	16.0
80				15.2	17.4	16.4	17.8	19.2	17.4	18.4	16.6	17.4	16.6	14.6	14.6	14.4	14.0
85					15.2	17.0	16.2	17.0	16.4	16.6	14.8	15.6	15.2	12.8	13.0	12.6	12.4
90					13.4	15.8	15.2	15.0	15.4	14.6	13.2	14.0	13.6	11.2	11.4	11.2	10.8
95					9.0	14.0	14.4	13.4	13.8	13.0	11.8	12.6	12.2	9.8	10.0	9.8	9.6
100						12.6	13.0	12.0	12.4	11.4	10.2	11.2	11.0	8.6	8.8	8.6	8.4
105						11.2	11.6	10.6	11.0	10.2	9.0	9.8	9.6	7.6	7.8	7.6	7.2
110						10.0	10.4	9.4	9.8	9.0	7.8	8.6	8.4	6.4	6.8	6.6	6.2
115						9.0	9.4	8.4	8.8	7.8	6.6	7.6	7.4	5.4	5.8	5.6	5.4
120							8.4	7.4	7.8	7.0	5.8	6.6	6.4	4.4	4.8	4.6	4.4
125							6.2	6.4	6.8	6.0	4.8	5.6	5.4	3.6	3.8	3.8	3.6
130								5.6	6.0	5.2	4.0	4.8	4.6	2.8	3.0	3.0	2.8
135								5.0	5.2	4.4	3.2	4.0	3.8	2.0	2.4	2.2	2.0
140								4.2	4.6	3.8	2.6	3.4	3.2				
145									4.0	3.2	2.0	2.8	2.6				
150									3.4	2.6		2.2	2.0				
155									2.8	2.0							

\* Telescopic boom lengths varies in range depending on section pinning arrangement.

# Load charts

## Telescopic boom



13,0 - 68,7 m  
(42.5 ft - 225.4 ft)



7,6 m  
(25.0 ft)



360°



17,1 t  
(37,600 lb)



lb x 1000

ft	42.5	58.1	73.8	89.2	104.7	119.4	133.9	146.0	158.8	170.9	183.3	188.0	195.2	206.8	215.9	222.0	225.4
10	230.0	228.0	151.0														
15	180.0	180.0	179.0	152.0													
20	135.0	136.0	136.0	124.0	114.0	89.0											
25	105.0	107.0	102.0	95.0	92.0	84.0	76.0										
30	75.0	79.0	81.0	73.0	73.0	70.0	65.0	61.0	50.0	33.8							
35	57.0	61.0	64.0	58.0	61.0	57.0	53.0	49.0	48.0	40.8	34.2						
40		49.0	50.0	47.0	50.0	47.0	45.0	40.8	39.2	33.8	34.2	26.8	28.8	24.2	21.0		
45		39.6	42.6	37.8	42.4	39.6	40.0	34.0	32.8	33.4	32.6	26.8	28.8	24.2	21.0	18.8	18.0
50		33.4	35.4	30.8	36.0	33.8	34.2	31.2	27.8	31.8	30.2	26.2	27.8	24.2	21.0	18.8	18.0
55			29.8	25.2	30.4	29.0	29.6	29.0	24.4	28.4	27.0	25.0	25.0	23.4	21.0	18.8	18.0
60			25.2	20.8	25.8	24.8	26.6	26.2	23.0	25.0	23.6	23.6	22.6	20.4	20.4	18.8	17.8
65			19.6	19.0	22.2	22.8	24.4	23.2	21.6	22.0	20.8	20.8	20.2	17.6	17.8	17.4	17.0
70				17.6	19.2	21.2	21.6	20.6	20.0	19.4	18.2	18.4	18.0	15.4	15.4	15.2	14.8
75				16.6	16.4	19.0	18.8	18.4	18.4	17.4	16.2	16.2	15.8	13.4	13.6	13.2	13.0
80				15.6	14.2	16.8	17.0	16.2	16.4	15.4	14.4	14.4	14.0	11.6	11.8	11.6	11.2
85				14.2	13.0	14.8	15.2	14.2	14.6	13.6	12.6	12.8	12.4	10.0	10.2	10.0	9.8
90					12.2	13.2	13.4	12.4	12.8	12.0	11.2	11.4	11.0	8.8	8.8	8.6	8.4
95					8.4	11.6	12.0	11.0	11.4	10.4	9.8	10.0	9.8	7.4	7.6	7.4	7.2
100						10.2	10.6	9.6	10.0	9.2	8.4	8.8	8.6	6.4	6.6	6.4	6.0
105						9.0	9.4	8.4	8.8	8.0	7.2	7.6	7.4	5.4	5.6	5.4	5.0
110						8.0	8.4	7.4	7.6	6.8	6.2	6.4	6.2	4.4	4.6	4.4	4.2
115						7.0	7.4	6.4	6.6	5.8	5.2	5.6	5.4	3.4	3.8	3.6	3.4
120							6.4	5.4	5.8	5.0	4.2	4.6	4.4	2.4	2.8	2.8	2.6
125							5.2	4.6	5.0	4.2	3.4	3.8	3.6		2.0	2.0	1.8
130								4.0	4.2	3.4	2.8	3.0	2.8				
135								3.2	3.6	2.8	2.0	2.4	2.2				
140								2.6	3.0	2.2		1.8					
145									2.4								
150									1.8								

\* Telescopic boom lengths varies in range depending on section pinning arrangement.



# Load charts

## Telescopic boom



13,0 - 68,7 m  
(42.5 ft - 225.4 ft)



7,6 m  
(25.0 ft)



360°



14,8 t  
(32,600 lb)



lb x 1000

ft	42.5	58.1	73.8	89.2	104.7	119.4	133.9	146.0	158.8	170.9	183.3	188.0	195.2	206.8	215.9	222.0	225.4
10	230.0	228.0															
15	179.0	179.0	178.0	152.0													
20	132.0	134.0	133.0	117.0	110.0	89.0											
25	101.0	103.0	96.0	93.0	86.0	82.0	76.0										
30	70.0	76.0	76.0	72.0	71.0	66.0	61.0	57.0	50.0	33.8							
35		58.0	59.0	60.0	57.0	53.0	49.0	46.0	44.0	40.8	34.2						
40		46.0	48.0	49.0	47.0	43.6	44.0	37.6	36.0	35.0	34.2	26.8	28.8	24.2	21.0		
45		36.4	39.6	40.4	39.4	36.6	37.2	33.4	30.0	33.4	32.4	26.8	28.8	24.2	21.0	18.8	18.0
50		25.6	32.6	33.6	33.4	31.0	31.6	31.2	26.2	30.2	28.6	26.2	26.6	24.2	21.0	18.8	18.0
55			27.2	28.2	28.0	26.6	28.6	27.6	24.4	26.2	25.0	24.6	24.0	21.4	21.0	18.8	18.0
60			23.0	23.8	23.6	24.4	25.4	24.2	23.0	23.0	22.6	21.6	21.0	18.4	18.4	18.0	17.8
65			19.6	20.4	20.2	22.8	22.4	21.2	21.2	20.2	20.0	18.8	18.4	15.8	16.0	15.6	15.2
70				17.4	17.2	20.0	19.8	18.8	18.8	17.8	17.6	16.6	16.2	13.8	13.8	13.6	13.2
75				15.0	14.8	17.4	17.2	16.6	16.6	15.6	15.6	14.6	14.2	11.8	12.0	11.6	11.4
80				13.4	13.8	15.2	15.0	14.6	14.8	13.8	13.8	12.8	12.6	10.2	10.4	10.0	9.8
85					13.0	13.4	13.2	12.6	13.0	12.2	12.2	11.4	11.0	8.6	8.8	8.6	8.4
90					11.6	11.8	11.6	11.0	11.4	10.6	10.8	10.0	9.6	7.4	7.6	7.4	7.0
95					8.0	10.4	10.2	9.6	10.0	9.2	9.4	8.8	8.4	6.2	6.4	6.2	6.0
100						9.0	8.8	8.4	8.8	8.0	8.2	7.6	7.4	5.2	5.4	5.2	4.8
105						7.8	7.8	7.2	7.6	6.8	7.0	6.4	6.2	4.2	4.4	4.2	4.0
110						6.8	6.6	6.2	6.6	5.8	6.0	5.4	5.2	3.2	3.6	3.4	3.2
115						6.0	5.8	5.2	5.6	4.8	5.0	4.4	4.2	2.4	2.6	2.6	2.4
120							5.0	4.4	4.8	4.0	4.2	3.6	3.4		1.8	1.8	
125								4.2	3.6	4.0	3.2	3.4	2.8	2.6			
130									3.6	3.0	3.4	2.6	2.8	2.2	2.0		
135										2.4	2.6	1.8	2.2				
140											1.8	2.0					

\* Telescopic boom lengths varies in range depending on section pinning arrangement.

# Load charts

## Telescopic boom



13,0 - 68,7 m  
(42.7 ft - 225.4 ft)



7,6 m  
(25.0 ft)



360°



12,5 t  
(27,500 lb)



lb x 1000

ft	42.5	58.1	73.8	89.2	104.7	119.4	133.9	146.0	158.8	170.9	183.3	188.0	195.2	206.8	215.9	222.0	225.4
10	230.0	228.0	151.0														
15	179.0	179.0	178.0	152.0													
20	130.0	132.0	126.0	115.0	104.0	89.0											
25	94.0	97.0	94.0	88.0	81.0	79.0	73.0										
30	65.0	70.0	71.0	67.0	66.0	61.0	56.0	53.0	50.0	33.8							
35	50.0	54.0	55.0	56.0	53.0	49.0	48.0	42.4	40.6	39.8	34.2						
40		42.0	45.0	46.0	43.6	40.4	40.8	35.6	33.2	33.8	32.6	26.8	28.8	24.2	21.0		
45		33.4	36.6	37.4	36.4	33.8	34.4	33.4	28.0	32.4	30.6	26.8	27.8	24.2	21.0	18.8	18.0
50			30.0	30.8	32.2	28.6	30.8	29.4	26.2	27.8	26.4	26.2	24.6	22.6	21.0	18.8	18.0
55			25.0	25.8	27.6	24.2	26.6	25.4	24.4	24.0	23.8	22.6	22.0	19.4	19.4	18.8	18.0
60			20.8	23.2	23.6	20.8	23.4	22.2	22.0	21.0	20.8	19.6	19.2	16.6	16.6	16.2	15.8
65			15.2	20.0	20.2	19.2	20.8	19.4	19.4	18.4	18.2	17.2	16.8	14.2	14.2	14.0	13.6
70				17.2	17.4	17.8	18.6	17.0	17.0	16.0	16.0	15.0	14.6	12.0	12.2	12.0	11.6
75				15.0	15.0	16.2	16.2	15.0	15.0	14.0	14.0	13.0	12.8	10.4	10.4	10.2	9.8
80				13.2	13.6	14.2	14.2	13.0	13.4	12.4	12.4	11.4	11.0	8.8	9.0	8.6	8.4
85				11.4	11.8	12.4	12.4	11.2	11.6	10.8	10.8	10.0	9.6	7.4	7.6	7.4	7.0
90					10.4	11.0	10.8	9.8	10.2	9.2	9.6	8.8	8.4	6.2	6.4	6.2	5.8
95					6.8	9.6	9.4	8.4	8.8	8.0	8.2	7.6	7.2	5.0	5.2	5.0	4.8
100						8.4	8.2	7.2	7.6	6.8	7.0	6.4	6.2	4.0	4.2	4.0	3.8
105						7.2	7.2	6.2	6.4	5.6	6.0	5.2	5.2	3.0	3.4	3.2	2.8
110						5.8	6.2	5.2	5.6	4.6	5.0	4.4	4.2	2.2	2.6	2.4	2.0
115						5.0	5.2	4.2	4.6	3.8	4.0	3.4	3.2				
120							4.6	3.6	3.8	3.0	3.4	2.6	2.4				
125								2.8	3.2	2.2	2.6	2.0	1.8				
130								2.2	2.4		2.0						
135									1.8								

\* Telescopic boom lengths varies in range depending on section pinning arrangement.



13,0 - 68,7 m  
(42.5 ft - 225.4 ft)



7,6 m  
(25.0 ft)



360°



10,2 t  
(22,500 lb)



lb x 1000

ft	42.5	58.1	73.8	89.2	104.7	119.4	133.9	158.8	170.9	183.3	188.0	195.2	206.8	215.9	222.0	225.4
10	228.0	226.0														
15	177.0	177.0	176.0	152.0												
20	128.0	129.0	119.0	112.0	103.0	89.0										
25	87.0	91.0	88.0	82.0	80.0	74.0	67.0									
30	59.0	65.0	66.0	66.0	62.0	57.0	53.0	46.0	33.8							
35		50.0	53.0	52.0	49.0	45.0	46.0	37.0	35.8	34.2						
40		38.4	41.6	42.4	40.2	37.2	37.6	30.0	33.8	32.2	26.8	28.8	24.2	21.0		
45		30.4	33.4	34.2	33.4	31.2	31.4	28.0	29.8	28.0	26.8	25.8	24.0	21.0	18.8	18.0
50		20.6	25.2	28.2	28.0	28.8	26.6	26.2	25.4	25.0	23.8	23.2	20.4	20.2	18.8	18.0
55			22.8	25.0	23.2	25.6	22.8	23.0	21.8	21.6	20.4	20.0	17.2	17.2	16.8	16.4
60			19.0	21.2	19.4	22.2	20.0	20.0	19.0	18.8	17.6	17.2	14.6	14.6	14.4	14.0
65			16.0	18.0	16.8	19.0	18.2	17.4	16.4	16.4	15.2	14.8	12.4	12.4	12.2	11.8
70				15.4	15.6	16.4	16.6	15.4	14.2	14.2	13.2	12.8	10.4	10.6	10.2	10.0
75				13.2	14.0	14.0	14.4	13.4	12.4	12.4	11.4	11.2	8.8	8.8	8.6	8.4
80					12.0	12.2	12.6	11.8	10.8	10.8	10.0	9.6	7.2	7.4	7.2	7.0
85					10.4	10.6	10.8	10.2	9.4	9.4	8.6	8.2	6.0	6.2	6.0	5.6
90					9.0	9.0	9.4	8.8	8.0	8.2	7.4	7.0	4.8	5.0	4.8	4.6
95					8.2	7.8	8.0	7.4	6.6	7.0	6.2	6.0	3.8	4.0	3.8	3.4
100						6.6	7.0	6.4	5.6	5.8	5.2	5.0	2.8	3.0	2.8	2.6
105						5.6	6.0	5.4	4.4	4.8	4.2	4.0	2.0	2.2	2.0	1.8
110						4.8	5.0	4.4	3.6	3.8	3.2	3.0				
115						4.0	4.2	3.6	2.8	3.0	2.4	2.2				
120							3.4	2.8	2.0	2.4						
125							3.0	2.2								

\* Telescopic boom lengths varies in range depending on section pinning arrangement.

# Load charts

## Telescopic boom



13,0 - 68,7 m  
(42.5 ft - 225.4 ft)



7,6 m  
(25.0 ft)



360°



7,9 t  
(17,400 lb)



lb x 1000

ft	42.5	58.1	73.8	89.2	104.7	119.4	133.9	146.0	158.8	166.6	182.2	188.0	194.3	206.8	215.9	222.0	225.4
10	228.0	226.0	151.0														
15	174.0	175.0	168.0	151.0													
20	125.0	121.0	111.0	106.0	96.0	89.0											
25	80.0	86.0	82.0	76.0	74.0	68.0	62.0										
30	54.0	61.0	61.0	61.0	57.0	52.0	52.0	44.0	42.2	33.8							
35		45.0	49.0	48.0	45.0	41.6	41.8	38.0	33.4	33.8	32.6						
40		34.8	37.8	38.8	36.6	33.8	35.6	34.0	29.8	32.0	30.2	26.8	27.8	24.2	21.0		
45		27.2	30.2	31.2	30.4	27.8	30.2	28.6	28.0	27.0	26.6	25.2	24.6	21.6	21.0	18.8	18.0
50		19.0	25.0	27.2	25.2	24.2	25.6	24.4	24.2	23.0	22.6	21.4	20.8	18.0	18.0	17.6	17.2
55			20.4	22.8	20.8	22.4	23.2	21.0	20.8	19.6	19.4	18.2	17.8	15.0	15.2	14.8	14.4
60			16.8	19.0	19.2	20.4	20.2	18.0	18.0	16.8	16.8	15.6	15.2	12.6	12.8	12.4	12.0
65			11.8	16.2	16.8	17.6	17.4	15.6	15.6	14.6	14.4	13.4	13.0	10.6	10.6	10.4	10.0
70				13.6	14.4	15.0	14.8	13.6	13.6	12.6	12.6	11.6	11.2	8.8	9.0	8.6	8.4
75				11.6	12.4	13.0	12.8	11.8	11.8	10.8	10.8	9.8	9.6	7.2	7.4	7.2	6.8
80				6.0	10.6	11.2	11.0	10.0	10.2	9.4	9.4	8.4	8.2	5.8	6.0	5.8	5.4
85					9.0	9.6	9.4	8.4	8.8	8.0	8.0	7.2	6.8	4.6	4.8	4.6	4.2
90					7.6	8.2	8.0	7.0	7.4	6.6	6.8	6.0	5.8	3.4	3.8	3.6	3.2
95					4.2	7.0	6.8	5.8	6.2	5.4	5.6	5.0	4.6	2.4	2.8	2.6	2.2
100						6.0	5.8	4.8	5.2	4.4	4.6	4.0	3.8		1.8		
105						5.0	4.8	3.8	4.2	3.4	3.6	3.0	2.8				
110						4.0	4.0	3.0	3.4	2.6	2.8	2.2	2.0				
115						2.8	3.2	2.2	2.6	1.8	2.0						
120							2.6		1.8								

\* Telescopic boom lengths varies in range depending on section pinning arrangement.



13,0 - 68,7 m  
(42.5 ft - 225.4 ft)



7,6 m  
(25.0 ft)



360°



5,6 t  
(12,340 lb)



lb x 1000

ft	42.5	58.1	73.8	89.2	104.7	119.4	133.9	151.0	158.8	178.6	188.0	195.2	206.8	215.9	222.0	225.4
10	228.0	226.0														
15	171.0	172.0	160.0	141.0												
20	118.0	113.0	107.0	98.0	90.0	86.0										
25	73.0	79.0	75.0	74.0	69.0	63.0	57.0									
30	48.0	55.0	58.0	55.0	52.0	48.0	48.0	39.8	38.0							
35	36.2	41.0	44.0	43.6	41.2	37.8	38.6	37.4	31.6	28.4						
40		31.2	34.2	35.2	33.2	34.0	32.6	30.8	29.8	28.4	26.8	23.0	23.0	21.0		
45		24.2	27.2	29.6	27.4	28.8	27.8	25.8	25.6	24.0	22.6	22.0	19.0	19.0	18.6	18.0
50		16.2	22.2	24.6	22.6	24.4	24.4	21.8	21.6	20.2	19.0	18.6	15.8	15.8	15.4	15.0
55			18.0	20.2	20.0	20.8	20.8	18.6	18.6	17.2	16.2	15.6	13.0	13.0	12.8	12.4
60			14.6	17.0	17.8	17.8	18.0	16.0	16.0	14.8	13.8	13.2	10.8	10.8	10.6	10.2
65			9.8	14.2	15.0	15.0	15.4	13.6	13.8	12.6	11.6	11.2	8.8	9.0	8.6	8.4
70				11.8	12.6	12.8	13.0	11.8	11.8	10.8	9.8	9.4	7.0	7.2	7.0	6.6
75				9.8	10.6	10.8	11.0	10.0	10.2	9.2	8.4	8.0	5.6	5.8	5.6	5.2
80				7.0	9.0	9.0	9.4	8.4	8.8	7.8	7.0	6.6	4.4	4.6	4.4	4.0
85					7.6	7.6	8.0	7.0	7.4	6.6	5.8	5.4	3.2	3.4	3.2	3.0
90					6.2	6.4	6.6	5.6	6.0	5.4	4.6	4.4	2.2	2.4	2.2	2.0
95					3.0	5.2	5.6	4.6	5.0	4.4	3.8	3.4				
100						4.2	4.6	3.6	4.0	3.4	2.8	2.6				
105						3.4	3.6	2.6	3.0	2.4	1.8					
110						2.6	2.8	1.8	2.2							
115						1.8	2.2									

\* Telescopic boom lengths varies in range depending on section pinning arrangement.

# Load charts

## Telescopic boom



13,0 - 68,7 m  
(42.5 ft - 225.4 ft)



7,6 m  
(25.0 ft)



360°



3,3 t  
(7,275 lb)



lb x 1000

ft	42.5	58.1	73.8	89.2	101.4	119.4	133.9	151.0	163.0	178.6	188.0	194.7	206.8	215.9	222.0	225.4
10	226.0	224.0	151.0													
15	165.0	163.0	146.0	127.0												
20	97.0	99.0	91.0	86.0	80.0	72.0										
25	58.0	66.0	65.0	62.0	57.0	52.0	46.0									
30	38.0	45.0	48.0	46.0	42.6	41.2	39.0	38.0	32.0							
35	27.6	32.6	35.8	36.2	33.4	34.2	33.0	30.4	29.8							
40		24.2	27.8	30.2	26.6	28.8	27.8	24.8	24.4	22.6	21.4	19.4	17.6	17.6		
45		18.2	21.6	24.0	24.0	24.0	23.0	20.6	20.4	18.8	17.6	17.0	14.2	14.2	13.8	13.4
50		14.2	17.0	19.2	20.2	20.2	19.4	17.0	17.0	15.6	14.4	14.0	11.2	11.4	11.0	10.6
55			13.4	15.6	16.4	17.0	16.4	14.2	14.2	13.0	12.0	11.6	9.0	9.0	8.8	8.4
60			10.4	12.6	13.6	14.2	13.8	12.0	12.0	10.8	9.8	9.4	7.0	7.2	6.8	6.6
65			6.0	10.4	11.2	11.6	11.6	10.0	10.0	9.0	8.0	7.8	5.2	5.4	5.2	4.8
70				8.4	9.2	9.6	9.6	8.4	8.4	7.4	6.6	6.2	3.8	4.0	3.8	3.4
75				6.6	7.4	8.0	7.8	6.8	7.0	6.0	5.2	4.8	2.4	2.6	2.4	2.2
80					6.0	6.6	6.4	5.4	5.8	4.8	4.0	3.6				
85					4.8	5.2	5.2	4.2	4.6	3.8	2.8	2.6				
90					3.6	4.2	4.0	3.0	3.4	2.8	2.0					
95						3.2	3.0	2.0	2.4	1.8						
100						2.4	2.2									

\* Telescopic boom lengths varies in range depending on section pinning arrangement.



13,0 m - 68,7 m  
(42.5 ft - 225.4 ft)



7,6 m  
(25.0 ft)



360°



1,0 t  
(2,205 lb)



lb x 1000

ft	42.5	58.1	73.8	89.2	104.7	119.4	133.9	146.0	158.8	170.9	188.0	195.2	206.8	215.9	222.0	225.4
10	227.1	227.1	211.7													
15	165.2	157.8	140.1	127.2												
20	100.3	101.4	93.7	86.0	81.6	72.8	43.9									
25	58.5	65.8	64.1	61.3	56.4	51.6	51.2	43.6								
30	39.2	46.3	48.5	46.3	46.3	41.5	41.0	38.8	33.7	29.3						
35		32.6	35.9	37.0	36.0	34.1	33.4	30.3	29.6	27.3	25.5					
40		24.1	27.6	30.2	29.4	28.7	27.8	24.8	24.4	22.6	21.3	20.7	17.6	17.4		
45		18.2	21.6	23.9	24.5	24.0	23.1	20.4	20.3	18.8	17.4	16.9	14.1	14.1	14.0	13.6
50			17.0	19.2	20.1	20.2	19.3	16.9	16.9	15.6	14.4	13.9	11.3	11.3	11.3	10.9
55			13.5	15.7	16.7	17.0	16.4	14.3	14.3	13.0	12.1	11.5	8.9	9.1	9.1	8.7
60				12.8	13.7	14.1	13.9	12.0	12.0	10.9	9.8	9.4	7.0	7.2	7.2	6.7
65				10.2	11.3	11.8	11.5	10.0	10.0	9.0	8.1	7.7	5.3	5.5	5.5	5.1
70				8.3	9.3	9.7	9.6	8.4	8.4	7.5	6.6	6.2	3.7	4.0	4.0	3.7
75				6.6	7.5	8.0	8.0	6.9	7.0	6.1	5.2	4.8	1.8	2.6	2.6	
80					6.1	6.5	6.5	5.4	5.7	4.8	3.9	3.7				
85					4.9	5.3	5.1	4.0	4.4	3.7	2.9	2.4				
90					3.7	4.2	4.1	3.0	3.5	2.8						
95					2.8	3.2	3.1	1.4	2.5							

\* Telescopic boom lengths varies in range depending on section pinning arrangement.

# Working range

Main boom and bi-fold swingaway

## Working range



13,0 - 68,7 m  
(42.5 ft - 225.4 ft)



9,6 / 16,2  
(31.5 / 53.1 ft)



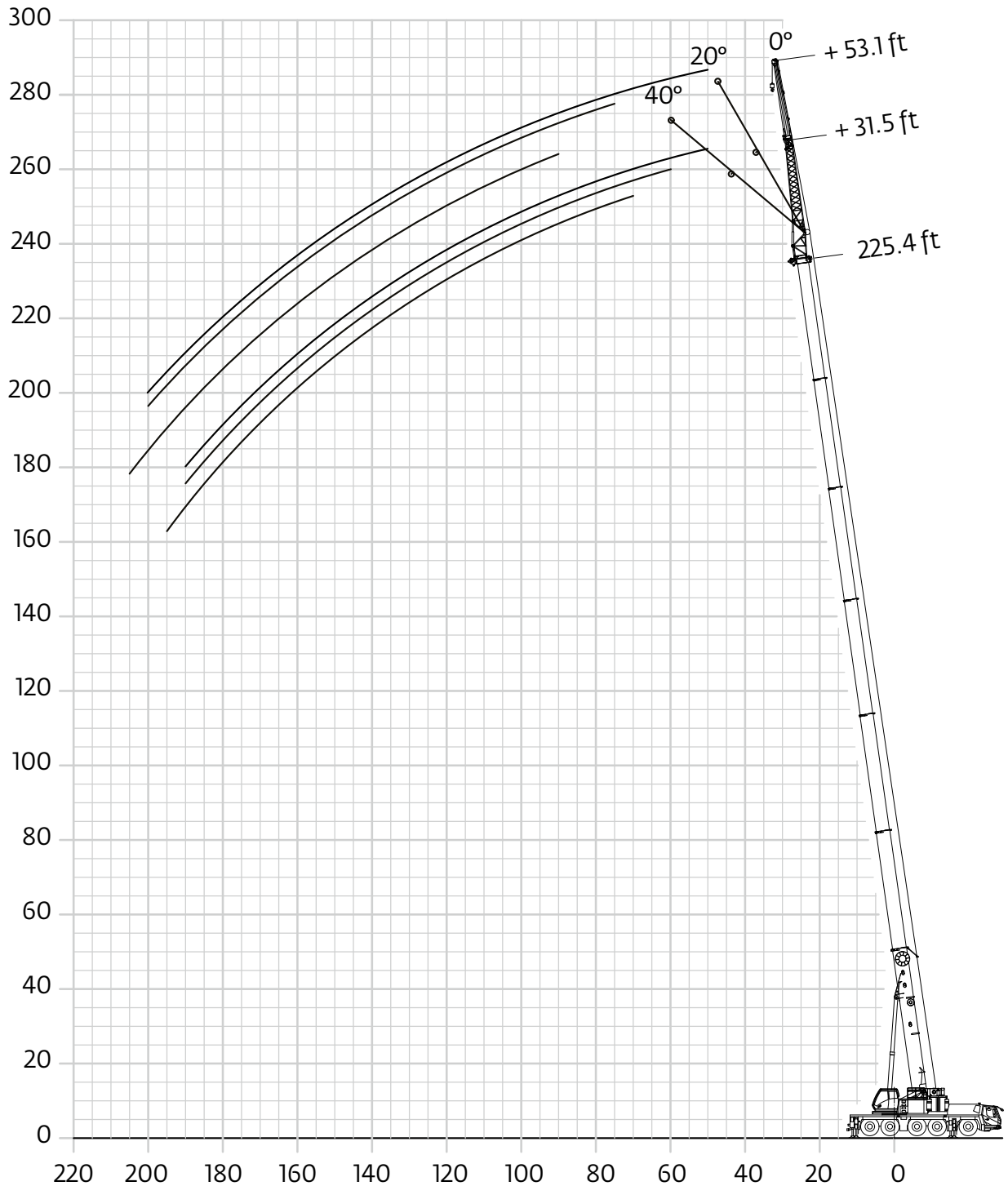
7,6 m  
(25.0 ft)



360°



44,5 t  
(98,100 lb)



# Load chart

## Main boom and bi-fold swingaway

### Swingaway (hydraulic luffing)



13,0 - 68,7 m  
(42.5 ft - 225.4 ft)



9,6 m  
(31.5 ft)



7,6 m  
(25.0 ft)



360°



44,5 t  
(98,100 lb)



lb x 1000

ft	158.6 - 166.6			194.7-195.2			225.4			ft
	31.5			31.5			31.5			
ft	0°	0°-20°	20°-40°	0°	0°-20°	20°-40°	0°	0°-20°	20°-40°	ft
35	25.6									35
40	25.2			17.0						40
45	24.6	16.6		17.0						45
50	24.2	16.4	13.4	17.0			10.8			50
55	23.8	16.0	13.2	17.0	16.2		10.8			55
60	23.4	15.4	13.0	17.0	16.0	12.8	10.8	10.8		60
65	22.8	15.0	12.8	16.8	15.6	12.6	10.8	10.8		65
70	22.4	14.4	12.6	16.8	15.2	12.6	10.8	10.8	10.0	70
75	22.0	14.0	12.4	16.6	14.8	12.4	10.8	10.8	10.0	75
80	21.2	13.8	12.2	16.4	14.4	12.4	10.8	10.8	10.0	80
85	20.2	13.4	12.0	16.4	14.2	12.4	10.8	10.8	10.0	85
90	19.2	13.0	12.0	15.6	13.8	12.2	10.8	10.8	9.8	90
95	18.2	12.8	11.8	14.8	13.4	12.0	10.8	10.8	9.8	95
100	17.4	12.4	11.6	14.0	13.2	12.0	10.8	10.8	9.8	100
105	16.6	12.2	11.6	13.2	12.8	11.8	10.8	10.8	9.8	105
110	15.6	11.8	11.4	12.6	12.6	11.8	10.2	10.2	9.8	110
115	14.0	11.2	11.2	11.8	11.8	11.6	9.8	9.8	9.8	115
120	12.6	10.6	10.6	11.2	11.2	11.2	9.2	9.2	9.2	120
125	11.4	10.0	10.0	10.6	10.6	10.6	8.8	8.8	8.8	125
130	10.2	9.4	9.4	10.0	10.0	10.0	8.2	8.2	8.2	130
135	9.2	9.0	9.0	9.6	9.6	9.6	7.8	7.8	7.8	135
140	8.4	8.4	8.4	8.8	8.8	9.0	7.4	7.4	7.4	140
145	8.0	8.0	8.0	7.8	7.8	8.4	7.0	7.0	7.0	145
150	7.4	7.4	7.4	7.4	7.4	7.4	6.6	6.6	6.6	150
155	7.0	7.0	7.0	7.0	7.0	7.0	6.2	6.2	6.2	155
160	6.6	6.6		6.6	6.6	6.6	5.8	5.8	5.8	160
165	6.4	6.4		6.0	6.0	6.2	5.0	5.0	5.4	165
170	6.0	6.0		5.4	5.4	5.8	4.4	4.4	4.8	170
175	5.6	5.6		4.8	4.8	5.0	3.8	3.8	4.2	175
180	5.4	5.2		4.2	4.2	4.4	3.2	3.2	3.6	180
185	5.0			3.6	3.6		2.6	2.6	3.0	185
190				3.2	3.2		2.2	2.2	2.4	190
195				2.6	2.6				2.0	195
200				2.2	2.2					200
205				1.8	1.8					205

\* Telescopic boom lengths varies in range depending on section pinning arrangement.

# Load chart

## Main boom and bi-fold swingaway

### Swingaway (hydraulic luffing)



13,0 - 68,7 m  
(42.5 ft - 225.4 ft)



16,2 m  
(53.1 ft)



7,6 m  
(25.0 ft)



360°



44,5 t  
(98,100 lb)



lb x 1000

ft	158.6 - 166.6			194.7-195.2			225.4			ft
	53.1			53.1			53.1			
	0°	0°-20°	20°-40°	0°	0°-20°	20°-40°	0°	0°-20°	20°-40°	
40	13.4									40
45	13.2			10.4						45
50	13.0			10.2			7.4			50
55	12.8	8.2		10.2			7.4			55
60	12.6	7.8		10.2			7.4			60
65	12.4	7.6		10.0			7.4			65
70	12.2	7.4	6.0	10.0	7.6		7.4			70
75	12.0	7.0	5.8	9.8	7.4	6.0	7.4	7.4		75
80	11.8	6.8	5.8	9.8	7.2	5.8	7.4	7.2		80
85	11.6	6.6	5.6	9.8	7.0	5.8	7.4	7.2		85
90	11.4	6.4	5.6	9.6	6.8	5.6	7.4	7.2	5.6	90
95	11.0	6.2	5.4	9.6	6.6	5.6	7.4	7.0	5.6	95
100	10.6	6.0	5.4	9.4	6.4	5.6	7.4	6.8	5.6	100
105	10.2	5.8	5.2	9.4	6.2	5.4	7.4	6.6	5.6	105
110	10.0	5.8	5.2	9.4	6.0	5.4	7.4	6.4	5.4	110
115	9.6	5.6	5.2	9.2	6.0	5.2	7.4	6.2	5.4	115
120	9.2	5.4	5.0	9.2	5.8	5.2	7.4	6.2	5.4	120
125	9.0	5.2	5.0	9.0	5.6	5.2	7.4	6.0	5.2	125
130	8.6	5.2	5.0	9.0	5.6	5.0	7.4	5.8	5.2	130
135	8.4	5.0	5.0	9.0	5.4	5.0	7.4	5.8	5.2	135
140	8.0	5.0	4.8	8.6	5.2	5.0	7.0	5.6	5.0	140
145	7.8	4.8	4.8	8.2	5.2	5.0	6.8	5.4	5.0	145
150	7.6	4.8	4.8	7.8	5.0	5.0	6.4	5.4	5.0	150
155	7.0	4.6	4.6	7.0	5.0	4.8	6.0	5.2	5.0	155
160	6.6	4.6	4.6	6.6	4.8	4.8	5.6	5.2	5.0	160
165	6.2	4.4	4.4	6.2	4.8	4.8	5.4	5.0	4.8	165
170	6.0	4.4	4.4	5.8	4.8	4.8	5.0	5.0	4.8	170
175	5.6	4.2	4.4	5.4	4.6	4.6	4.6	4.6	4.8	175
180	5.4	4.0	4.4	5.0	4.6	4.6	4.0	4.0	4.4	180
185	5.0	4.0		4.4	4.4	4.4	3.4	3.4	4.2	185
190	4.8	3.8		4.0	4.0	4.4	2.8	2.8	3.6	190
195	4.4	3.8		3.4	3.4	4.0	2.4	2.4	3.0	195
200	4.2	3.6		3.0	3.0	3.4	1.8	1.8	2.6	200
205	4.0			2.6	2.6	1.8			2.0	205
210				2.2	2.2					210

\* Telescopic boom lengths varies in range depending on section pinning arrangement.

# Working range

Main boom and bi-fold swingaway

## Working range



13,0 - 68,7 m  
(42.5 ft - 225.4 ft)



9,6 / 16,2 / 24,2 m  
(31.5 / 53.1 / 79.4 ft)



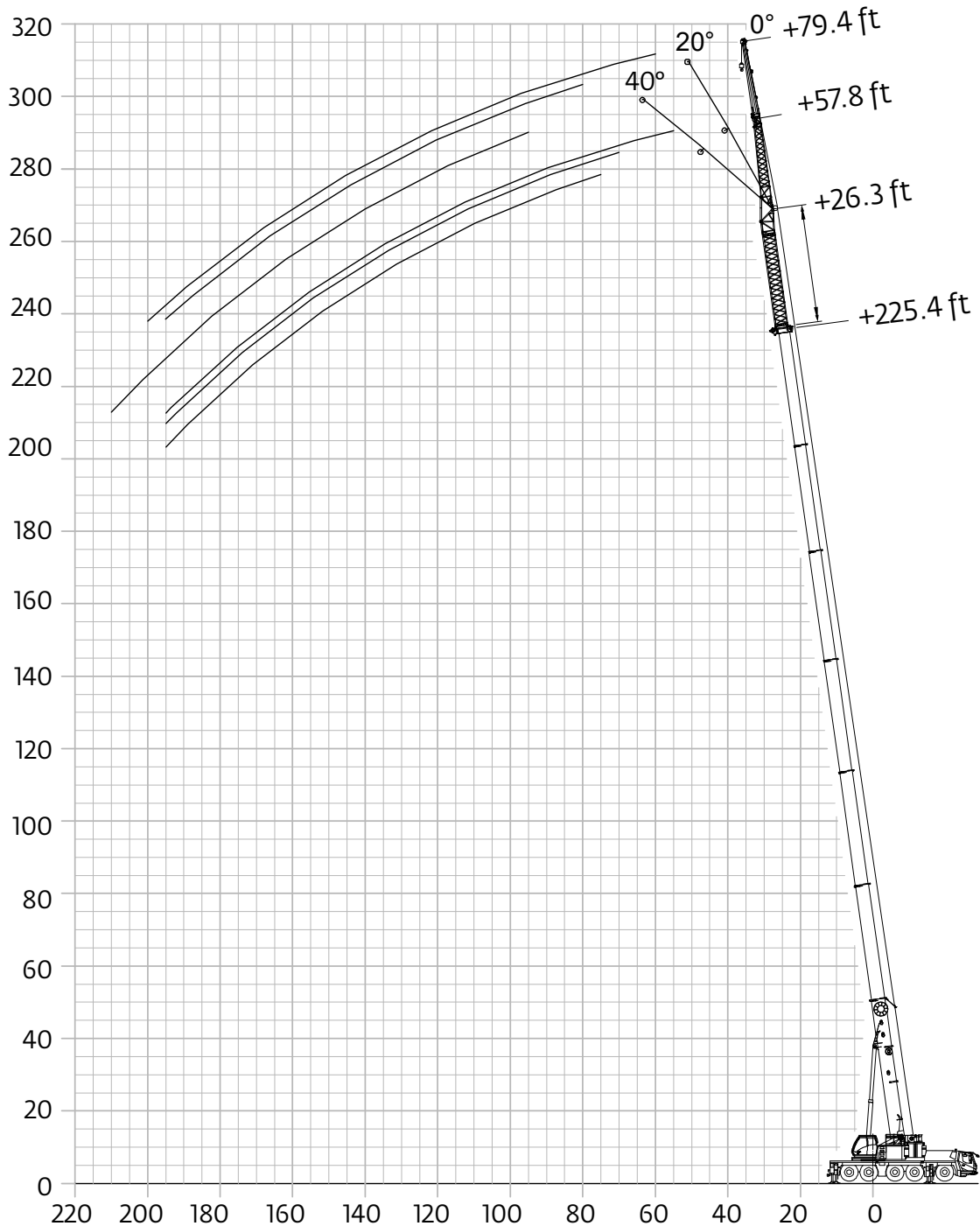
7,6 m  
(25.0 ft)



360°



44,5 t  
(98,100 lb)





# Load chart

## Main boom and bi-fold swingaway + boom insert

### Swingaway (hydraulic luffing) + 8 m (26.3 ft.) boom insert



13,0 - 68,7 m  
(42.5 ft - 225.4 ft)



24,2 m  
(79.4 ft)



7,6 m  
(25.0 ft)



360°



44,5 t  
(98,100 lb)



lb x 1000

ft	158.6 - 166.6			194.7-195.2			225.4			ft
ft	53.1 + 26.3			53.1 + 26.3			53.1 + 26.3			ft
	0°	0°-20°	20°-40°	0°	0°-20°	20°-40°	0°	0°-20°	20°-40°	
45	11.0									45
50	10.8									50
55	10.8			8.0						55
60	10.6			8.0			4.6			60
65	10.6			8.0			4.6			65
70	10.4	7.6		8.0			4.6			70
75	10.4	7.4		8.0	7.6		4.6			75
80	10.2	7.2	5.8	8.0	7.4		4.6	5.2		80
85	10.0	7.0	5.8	8.0	7.2		4.6	5.2		85
90	9.6	6.8	5.6	8.0	7.0	5.8	4.6	5.2		90
95	9.2	6.6	5.6	8.0	6.8	5.8	4.6	5.2	4.6	95
100	8.8	6.4	5.6	8.0	6.8	5.6	4.6	5.2	4.6	100
105	8.4	6.2	5.4	7.8	6.6	5.6	4.6	5.2	4.6	105
110	8.2	6.0	5.4	7.8	6.4	5.4	4.6	5.2	4.6	110
115	7.8	5.8	5.2	7.8	6.2	5.4	4.6	5.2	4.6	115
120	7.6	5.8	5.2	7.6	6.0	5.4	4.6	5.2	4.6	120
125	7.2	5.6	5.2	7.4	6.0	5.2	4.6	5.2	4.6	125
130	7.0	5.4	5.0	7.2	5.8	5.2	4.6	5.2	4.6	130
135	6.8	5.4	5.0	7.0	5.6	5.2	4.6	5.2	4.6	135
140	6.4	5.2	5.0	6.8	5.6	5.0	4.6	5.2	4.6	140
145	6.2	5.2	5.0	6.6	5.4	5.0	4.6	5.2	4.6	145
150	6.0	5.0	4.8	6.4	5.4	5.0	4.6	5.2	4.6	150
155	5.8	5.0	4.8	6.2	5.2	5.0	4.6	5.2	4.6	155
160	5.6	4.8	4.8	6.0	5.2	5.0	4.6	5.2	4.6	160
165	5.6	4.8	4.8	5.8	5.0	4.8	4.6	5.0	4.6	165
170	5.4	4.6	4.6	5.2	5.0	4.8	4.4	4.6	4.6	170
175	4.8	4.6	4.6	4.8	4.8	4.8	4.0	4.4	4.4	175
180	4.6	4.6	4.6	4.6	4.8	4.8	3.8	4.0	4.2	180
185	4.4	4.4	4.4	4.4	4.4	4.6	3.4	3.4	3.8	185
190	4.2	4.2	4.2	4.0	4.0	4.2	2.8	2.8	3.6	190
195	4.0	4.0	4.0	3.6	3.6	4.0	2.4	2.4	3.2	195
200	3.6	3.8	3.8	3.0	3.0	3.6	2.0	2.0	2.6	200
205	3.4	3.6		2.6	2.6	3.2			2.2	205
210	3.2	3.4		2.2	2.2	2.8			1.8	210
215	3.0	3.0		1.8	1.8	2.2				215
220	2.8	2.8				1.8				220
225	2.6	2.6								225
230	2.4									230

\* Telescopic boom lengths varies in range depending on section pinning arrangement.

# Working range

Main boom and bi-fold swingaway + jib insert

## Working range



13,0 - 68,7 m  
(42.5 ft - 225.4 ft)



22,2 m  
(72.8 ft)



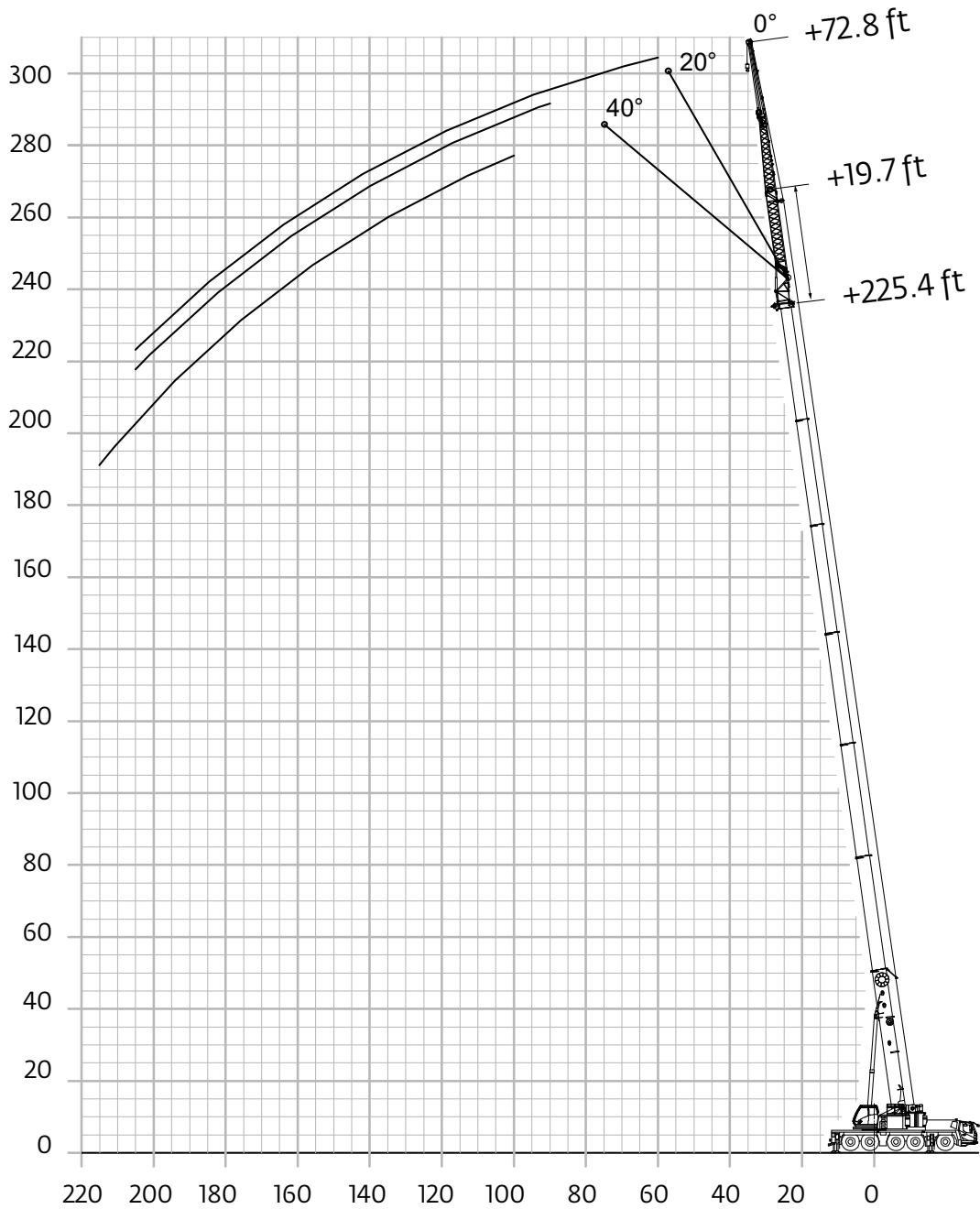
7,6 m  
(25.0 ft)



360°



44,5 t  
(98,100 lb)



# Load chart

## Main boom and bi-fold swingaway + jib insert

### Swingaway (hydraulic luffing) + 6 m (19.7 ft) jib insert



13,0 - 68,7 m  
(42.5 ft - 225.4 ft)



22,2 m (72.8 ft)



7,6 m  
(25.0 ft)



360°



44,5 t  
(98,100 lb)



lb x 1000

ft	158.6 - 166.6			194.7-195.2			225.4			ft
	53.1 + 19.7			53.1 + 19.7			53.1 + 19.7			
	0°	0°-20°	20°-40°	0°	0°-20°	20°-40°	0°	0°-20°	20°-40°	
45	9.4									45
50	9.2			7.2						50
55	9.0			7.2						55
60	9.0			7.2			5.2			60
65	8.8			7.0			5.2			65
70	8.6	5.0		7.0			5.2			70
75	8.6	4.8		7.0	5.0		5.2			75
80	8.4	4.6		6.8	4.8		5.2			80
85	8.4	4.4		6.8	4.6		5.2			85
90	8.2	4.2	3.4	6.8	4.4		5.2	4.6		90
95	8.0	4.0	3.4	6.6	4.4	3.4	5.2	4.6		95
100	8.0	4.0	3.4	6.6	4.2	3.4	5.2	4.4	3.4	100
105	7.8	3.8	3.2	6.6	4.0	3.4	5.2	4.2	3.4	105
110	7.6	3.6	3.2	6.4	3.8	3.2	5.2	4.2	3.4	110
115	7.2	3.6	3.2	6.4	3.8	3.2	5.2	4.0	3.2	115
120	7.0	3.4	3.0	6.4	3.6	3.2	5.0	3.8	3.2	120
125	6.6	3.4	3.0	6.2	3.6	3.0	5.0	3.8	3.2	125
130	6.4	3.2	3.0	6.2	3.4	3.0	5.0	3.6	3.2	130
135	6.2	3.2	3.0	6.2	3.4	3.0	5.0	3.6	3.0	135
140	6.0	3.0	2.8	6.0	3.2	3.0	5.0	3.4	3.0	140
145	5.8	3.0	2.8	6.0	3.2	3.0	5.0	3.4	3.0	145
150	5.6	2.8	2.8	6.0	3.0	2.8	5.0	3.4	3.0	150
155	5.4	2.8	2.8	5.8	3.0	2.8	4.8	3.2	2.8	155
160	5.2	2.8	2.8	5.6	3.0	2.8	4.8	3.2	2.8	160
165	5.0	2.6	2.6	5.6	2.8	2.8	4.8	3.0	2.8	165
170	4.8	2.6	2.6	5.4	2.8	2.8	4.8	3.0	2.8	170
175	4.8	2.6	2.6	5.0	2.8	2.8	4.4	3.0	2.8	175
180	4.6	2.4	2.6	4.8	2.6	2.6	4.2	2.8	2.8	180
185	4.4	2.4	2.4	4.6	2.6	2.6	3.6	2.8	2.8	185
190	4.4	2.4	2.4	4.4	2.6	2.6	3.2	2.8	2.6	190
195	4.2	2.2	2.4	3.8	2.6	2.6	2.6	2.6	2.6	195
200	4.0	2.2	2.4	3.4	2.4	2.4	2.2	2.2	2.6	200
205	3.8	2.0		3.0	2.4	2.4	1.8	1.8	2.6	205
210	3.6	2.0		2.4	2.4	2.4			2.2	210
215	3.4	2.0		2.0	2.0	2.4			1.8	215
220	3.2	1.8				2.4				220
225	3.0									225

\* Telescopic boom lengths varies in range depending on section pinning arrangement.

# Specifications

## Superstructure



### Boom

13,0 m (42.5 ft) to 68,7 m (225.4 ft) seven section TWIN-LOCK® boom. Maximum tip height 72,0 m (236.2 ft).



### Boom elevation

1 cylinder with safety valve, boom angle from -1,5° to +83°.



### Load moment and independent anti-two block system

Load moment and independent anti-two block system with audio visual warning and control lever lock-out. These systems provide graphic display of boom angle, length, radius, tip height, relative load moment, maximum permissible load, load indication and warning of impending two-block condition with lock-out hoist function.



### Cab

Aluminum, full vision, tiltable (approx. 20°), safety glass, adjustable operator's seat with suspension, engine-independent heater. Armrest-integrated crane controls. Ergonomically arranged instrumentation and crane operating controls.



### Slewing

2 slewing gears with axial piston motors, planetary gears, automatic break.



### Counterweight

44,5 t (98,100 lb), consisting of various sections — 30,9 t (34.1 US t) within 2,75 m (9.02 ft) vehicle width. Hydraulic removal system.



### Hydraulic system

2 separate circuits, 1 axial piston variable displacement pump with electronic power limiting control and 1 axial piston variable displacement pump for slewing. Thermostatically controlled oil cooler. Tank capacity: 750 l (198 gal).



### Control system

Full electronic control of all crane movements using electrical control levers with automatic reset to zero. Integrated with the RCL and engine management system by CAN-BUS.



### Hoist

Axial piston motor with planetary gear and brake. Drum rotation indicator. IR - Hoist camera.

### \* Optional equipment

- Bi-fold swingaway 9,6 / 16,2 m (31.5 / 53.1 ft) with hydraulic offset and luffing under load (0°–40°), controlled from the crane cab
- 8 m (26 ft) boom and 6 m (20 ft) jib extensions (maximum total length 24,2 m (79.4 ft))
- Auxiliary hoist (in lieu of compensation counterweight)
- Auxiliary boom nose using two parts of line
- Air-conditioning system

\* Other optional equipment on request.

## Carrier



### Chassis

Special 5-axle chassis, all-welded torsion-resistant box type construction in high strength steel.



### Outriggers

4 double hydraulically telescoping beams with vertical cylinders and outrigger pads. Independent horizontal and vertical movement control on each side of the carrier and from the operators cab. Electronic level indicator with automatic leveling system. Spotlight for each outrigger beam integrated in carrier decking.



### Engine

Mercedes Benz OM471LA, diesel, 6 cylinders, water cooled, turbocharged, 390 kw (523 HP) at 1700 rpm (80 / 1269 EWG fan loose). Max. torque: 2460 Nm (1,814 ft lb) at 1300 rpm. Fuel tank: 325 l + 325 l (86 gal + 86 gal).

Engine emission: Euromot 5 / EPA / CARB Tier 4 final (non road) - optional Euromot 3a/EPA/CARB Tier 3 (non road).



### Transmission

Mercedes G 280-16 gears forward and 2 reverse. 2-stage transfer case with longitudinal differential lock.



### Drive/Steer

10 x 6 x 10.



### Axle lines

5 axle lines, axle lines 1, 2, 3, 4 and 5 steered, axle line 2, 4 and 5 driven.



### Suspension

MEGATRAK®. All wheels with independent hydropneumatic suspension and hydraulic lockout. Longitudinal and transverse level control with automatic on highway leveling system. Range +195 mm/-105 mm. Active suspension control on outrigger control units.



### Tires

10 tires, 385/95 R25 (14.00 R25).



### Steering

Dual circuit, hydraulic power assisted steering with emergency steering pump. Axle lines 1, 2, 3, 4 and 5 steer on highway. Separate electronic hydraulic (steer by wire) steering of the 3rd, 4th and 5th axle line for all wheel steering and crabbing.



### Brakes

Service brake: pneumatic dual circuit disc brakes acting on all wheels, air dryer. Permanent brake: exhaust brake and constant throttle brake. Parking brake: pneumatically operated spring-loaded brake acting on axle lines 2, 4 and 5.



### Driver's cab

Aluminum, 2-man-design, safety glass, driver seat with pneumatic suspension, engine-dependent hot water heater. Complete instrumentation and driving controls. Air condition. 12 V plug. Fire extinguisher.



### Electrical system

Three-phase alternator 28 V/150A, 2 batteries 12 V/180 Ah. Lighting system and signals 24 V.

### \* Optional equipment

- Drive/steer: 10 x 8 x 10
- 10 tires, size 445/95 R25 (16.00 R25) - Vehicle width 2,75 m (9 ft)
- 10 tires, size 525/80 R25 (20.5 R25) - Vehicle width 2,9 m (9.5 ft)
- Secondary water retarder
- Reverse camera system
- MAXbase variable outrigger positioning

# Symbols glossary



Axles



Counterweight



Main hoist



Outriggers



Axle load



Crane functions



Auxiliary hoist



Radius



Boom



Crane travel



Hookblock/Capacity



Slewing/Working range



Boom elevation



Drive/Steer



Hydraulic system



Speed



Boom telescoping



Electrical system



Lattice extension



Suspension



Brakes



Engine



Lattice extension (luffing)



Transmission/Gear



Cab



Free on wheels



Luffing jib



Travel speed



Carrier frame



Gradeability



Low range



Tires



Hose reel



Swingaway



Dolly



Storage box + rigging gear



Weight per axle in kg



Driveline



Brackets

# Notes

# Notes

# The Manitowoc Company, Inc.

## Regional headquarters

### Americas

Milwaukee, Wisconsin, USA

Tel: +1 414 760 4600

Shady Grove, Pennsylvania, USA

Tel: +1 717 597 8121

### Europe and Africa

Dardilly, France - TOWERS

Tel: +33 (0) 4 72 18 20 20

Wilhelmshaven, Germany - MOBILE

Tel: +49 (0) 4421 294 0

### APAC

Shanghai, China

Tel: +86 21 6457 0066

Singapore

Tel: +65 6264 1188

### Middle East and India

Dubai, UAE

Tel: +971 4 8862677

This document is non-contractual. Constant improvement and engineering progress make it necessary that we reserve the right to make specification, equipment, and price changes without notice. Illustrations shown may include optional equipment and accessories and may not include all standard equipment.

